



NEW

New surface finishes New Silkgrain and Duragrain



Sectional Garage Doors

More convenience and security every day







Hörmann brand quality	4
Advantages of sectional doors	6
Good reasons to try Hörmann	8
Choose your dream door	16
S-ribbed	18
M-ribbed	22
L-ribbed	26
Design L-ribbed	30
Panelled	32
Aluminium sectional door ALR	36
Steel sectional door SPU F42 Plus	38
Design timber doors	40
Design overview	42
Door handles, glazings	48
Surface finishes, colours	50
Duragrain / Decograin surface finishes, types of solid timber	52
Wicket doors	54
Side doors	56
Modernisation solutions	58
Garage door operators	64
Accessories	68
Safety features	72
Performance characteristics	74
Dimensions and fitting data	76
Hörmann product range	84

For more information on sectional garage doors and other high-quality Hörmann products, go to: www.hormann.co.uk.

Some of the doors shown are equipped with optional extras and do not always correspond to our standard models.

The surface finishes and colours shown are subject to the limitations of the printing process and cannot be regarded as binding.

All rights reserved. No part may be reproduced without our prior permission. Subject to changes.

Left figure: M-ribbed with Duragrain / Decograin Golden Oak surface finish, Hörmann aluminium entrance door TopPrestige style 565 in the preferred colour Anthracite grey, RAL 7016 with DesignPlus handle, with optional side elements

Hörmann brand quality

Reliable and oriented towards the future



“A good reputation has to be earned.” (August Hörmann)

In line with the founder’s philosophy, the Hörmann brand today is a true promise of quality. The family-owned company has over 75 years of experience in door and operator construction and, with sales of over 20 million doors, is no. 1 in Europe. This makes a Hörmann sectional door a reassuring purchase.



German quality

All doors and operator components developed and manufactured by Hörmann are perfectly matched to each other as well as being tested and certified by independent, recognised institutes to ensure your safety. They are manufactured in Germany according to the DIN EN 9001 quality management system and meet the requirements of European standard 13241-1. Furthermore, our highly qualified employees work intensively on new products, continual further developments and improvements to details. Patents and unique products on the market are the result of this.



Garage doors for generations

Endurance tests under real conditions ensure mature series products with Hörmann quality. Thanks to excellent technical solutions and uncompromising quality assurance, you receive a 10-year warranty on all sectional doors and 5 years on all Hörmann operators.*



An eye on the future

Hörmann is setting a good example. This is why, from 2013 onwards, the company will obtain up to 40 % of its required energy from green sources and will continue to increase this percentage. At the same time, many tonnes of CO₂ are saved each year thanks to the introduction of an intelligent and certified energy management system. And last but not least, Hörmann offers products for sustainable construction.

* The complete warranty conditions can be found at: www.hormann.co.uk

Benefit from numerous advantages

Sectional doors always fit and save space



Sectional doors open vertically upwards and are suspended under the ceiling to save space. This construction principle means you can make full use of the space inside and in front of the garage. Additionally, sectional garage doors can be fitted in every garage door opening, offer a wider passage width and are optimally sealed.

Treat yourself to this comfort and convenience.

Easier entrance into the garage and more room in front of and in the garage



For every fitting situation

The shape of the garage door opening is not of prime importance. Whether square, angled, with segmental or full centred arch – a sectional door always fits.



Narrow passage width
with old up-and-over doors



Complete passage width
with modern sectional doors

Wider passage

With older up-and-over doors, driving in and out is often a matter of millimetres. Sectional doors with a passage width extended by up to 14 cm also make it much easier to park modern, larger vehicles and SUVs.



Sealed all-round

Flexible and weather-resistant seals on all four sides of Hörmann's sectional doors keep out the wind, rain and snow. High-quality intermediate seals between the door sections of double-skinned doors provide for additional sealing. Thanks to its large-sized profile lip, the bottom seal can easily accommodate slight irregularities in the floor. Optional bottom seals with ventilation slots or ventilation grilles in a door section ensure sufficient ventilation.

Good reasons to try Hörmann

High production quality down to the last detail



1

A harmonious overall appearance

Many competitor doors have an unsmooth appearance caused by visible section transitions

Ribbed doors with invisible section transitions

Hörmann garage doors are distinguished by equal height sections with precisely aligned ribbing. The sections are shaped so that the transitions are practically invisible when the door is closed. See for yourself!

To add to the overall appearance, a practical side door with an alignment matching the sectional garage doors is also available. Further proof of the high production quality of Hörmann building products.



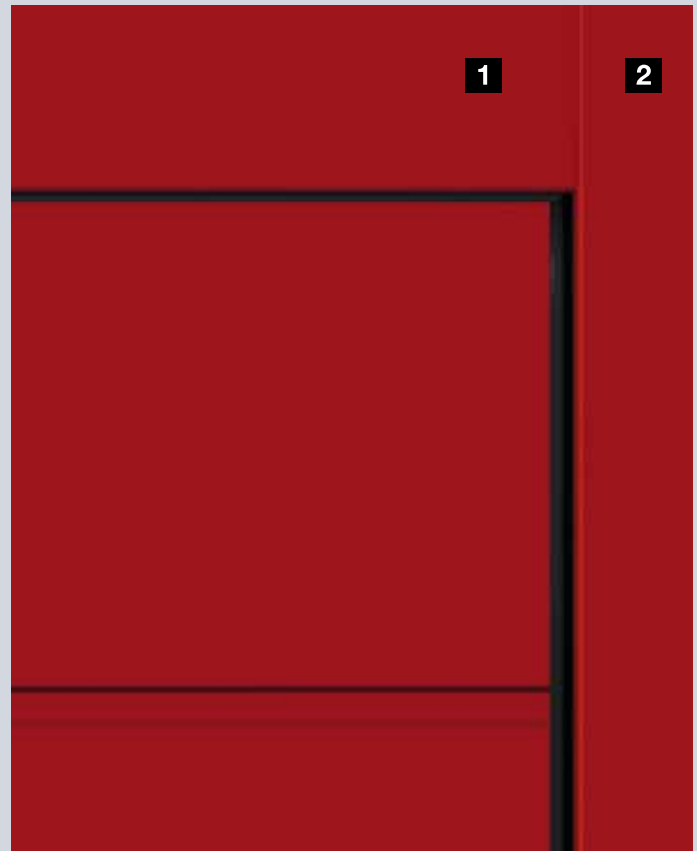
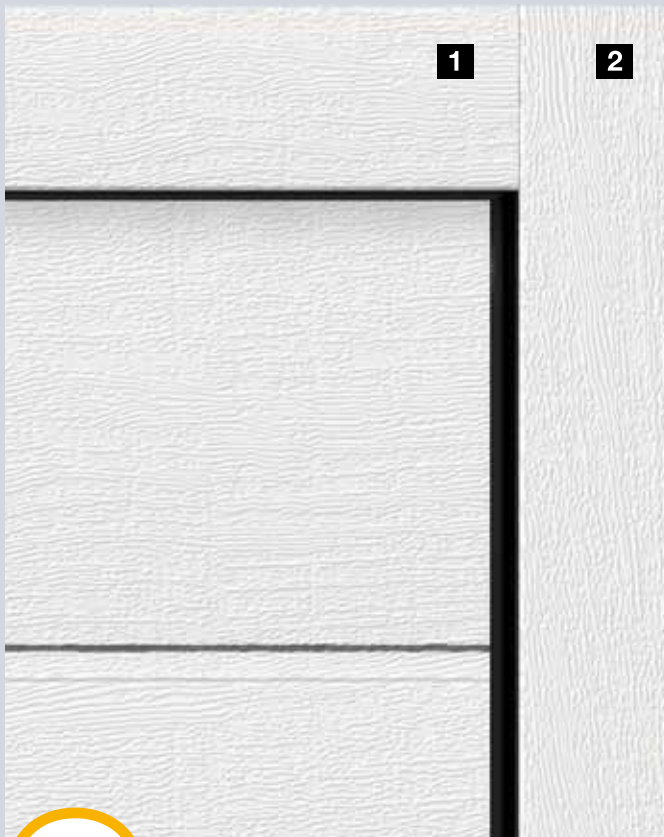
Competitor doors also have an uneven appearance due to different section heights

Panelled doors with uniform divisions

Hörmann supplies garage and side doors with uniform panel divisions. The section heights are evenly distributed over the entire door height, creating a harmonious overall look.

Good reasons to try Hörmann

Perfect appearance



2

Matching appearance of frames and door leaves

Matching appearance also with coloured doors

A harmonious overall appearance

The perfect appearance of a door is the result of many small details: for example fascia panels **1** and side frames **2**. Hörmann provides these components to match the door sections with a white Woodgrain surface finish as standard.

Frame covering in the same colour

Doors with New Silkgrain or Decograin surface finishes, as well as coloured doors, come with frame coverings **2** (as an optional extra) that match the surface and colour of the door leaf. The fascia panels in these doors **1** also always match the door. This ensures that everything fits together.

For further information, please see pages 61-62.



3

Flush-fitting fascia panels

Flush-fitting fascia panels

For LPU doors, a fascia panel is the most elegant solution for an invisible transition between the panel and door leaf.

When the door is closed, the top door section is flush with the panel.

For further information, please see page 61.

4

Duragrain surface finish *// NEW From autumn 2013*

24 Duragrain decors

These photo-realistic doors are created using a special printing method with a heavy-duty sealing, making them extremely resistant to both scratches and weather.

Our selection includes 24 decors that are available for all LPU sectional doors with M and L ribbing and panelling.

For further information, please see page 52.

Good reasons to try Hörmann

Innovations from the market leader



5

Optimum long-term protection

Also resistant to waterlogging

A non-brittle, 4 cm plastic frame shoe offers long-term protection against corrosion (even with waterlogging) that is unmatched by competitor solutions. The frame shoe completely covers the frame in the area susceptible to rust. Only this offers true long-term protection. Together with the door's bottom seal, the frame shoe makes a bottom edge that is visually appealing, as well.



Up to
15%*
improved
thermal insulation

6

Efficient thermal insulation

With thermal break between the frame and the building structure.

A well insulated garage door is always recommended when the garage and the home are directly connected. To further improve the already high insulation values, especially of its LPU sectional door, Hörmann has developed the ThermoFrame frame connection, a plastic profile that can be simply fitted together with the door frame. This creates a thermal break between the frame and brickwork improving the insulation up to **15%***. The optional ThermoFrame frame connection is available for all Hörmann sectional doors.

* For a double-skinned sectional garage door LPU size 5000 x 2125 mm



Tested safety

Hörmann automatic sectional doors have been tested and certified by TÜV in accordance with the TTZ directive "Break-in resistance for garage doors". Doors with wicket doors and doors with glazing are an exception.



7

Practical solutions

Wicket door with trip-free threshold

Wicket doors are recommended for easy passage into your garage. You can also retrieve bicycles or gardening equipment from your garage without opening the door. The stainless steel threshold is only 10 mm in the centre and 5 mm high at the sides. This makes it easier to wheel things over and reduces the risk of tripping up.

8

More security, of course.

Reliable protection with the anti-lift kit

Uninvited guests barely stand a chance with Hörmann's automatic sectional doors. When the garage door is closed, the anti-lift kit automatically engages in the operator boom's stop, it then locks immediately and is secured against forced opening. This door latching functions purely mechanically, and in contrast to competitor operators, continues to secure the door even when the power fails.



Take a look at the video at:
www.hormann.co.uk/videos



Good reasons to try Hörmann

Hörmann BiSecur: The modern radio system for garage door and entrance gate operators



Bi-directional radio system BiSecur

9

Convenient inquiry of the door position

The modern radio system for garage door and entrance gate operators

Our bi-directional, high-security BiSecur radio system is based on future-oriented technology that allows you to conveniently and safely operate garage doors, entrance gates, lights and much more.



Take a look at the video at:
www.hormann.co.uk/videos



Convenient and safe with bi-directional radio technology

You no longer have to go out in all kinds of weather to check that your garage door is closed. With a single push of a button, the LED colour on the hand transmitter HS 5 BS shows you whether the door is open or closed. If required, another push of a button* closes the door.

* An additional photocell is required for operation without visual contact to the door.



PATENT PENDING



10

**Certified
security**

11

**Award-winning
design**



reddot design award
honourable mention 2011

With a stable, interference-free range

The newly developed, extremely secure BiSecur encryption protocol makes sure that no-one can copy your radio signal. It has been tested and certified by security experts at the Bochum University and has the same high security level as online banking.

Exclusive hand transmitters

The new, exclusive BiSecur hand transmitters are set apart by a black or white high-gloss surface in a piano lacquer look, as well as by an elegant shape that fits easily in the palm of your hand.

Hörmann's BiSecur hand transmitters have been awarded a design prize by an international jury.



Take a look at the video at:
www.hormann.co.uk/videos



Figure above: HS 5 BS hand transmitter with optional hand transmitter station.

Choose your dream door

The right solution for every application



S-ribbed

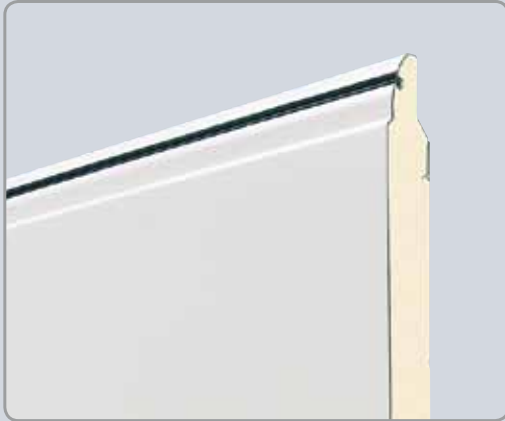
M-ribbed

L-ribbed

Panelled

Best thermal insulation – largest range

LPU: the premium sectional door



LPU

Double-skinned LPU doors offer the best-possible insulation. Particularly recommended if you also use your garage as a hobby room or would like to lower your energy costs. Moreover, the 42-mm-thick sections give the door greater stability and make for quiet operation.

Versions:
S-ribbed, M-ribbed, L-ribbed, panelled



Woodgrain



Micrograin



New Silkgrain
// NEW



New Silkgrain Titan
// NEW



Decograin decors
Duragrain decors
// NEW



EPU

Double-skinned EPU doors provide excellent thermal insulation and are the right choice if your garage adjoins the house or affords access to it.

Versions:
M-ribbed, panelled



Woodgrain



LTE

Single-skinned LTE doors are our least expensive version and are ideal for free-standing garages that do not need any thermal insulation.

Versions:
S-ribbed, M-ribbed, panelled



Woodgrain



LTH

Solid timber panels Nordic Pine, Hemlock

Versions:
S-ribbed, M-ribbed, L-ribbed, panelled



Nordic Pine



Hemlock

S-ribbed

Door style with a classic look



Hörmann aluminium entrance door TopPrestige, style 860 in the preferred colour Anthracite grey, RAL 7016



S-ribbed with the surface finish Woodgrain in the preferred colour Anthracite grey, RAL 7016

S-ribbed

With steel or solid timber panels



S-ribbed with the surface finish Woodgrain in the preferred colour Fir green, RAL 6009



S-ribbed with the surface finish Woodgrain in the preferred colour Anthracite grey, RAL 7016



S-ribbed in Hemlock



Brief overview

Door versions



LPU



LTE*



LTH

Steel panel surface finishes



Woodgrain
LPU, LTE*

Solid timber panels



Nordic Pine,
Hemlock
LTH



S-ribbed with the surface finish Woodgrain in Traffic white, RAL 9016 with matching side door (see page 56)

* LTE only in Traffic white

Design overview

From page 42

Surface finishes and colours

From page 50

Dimensions and fitting data

From page 76

M-ribbed

The door style for modern architecture



Hörmann aluminium entrance door TopPrestige, style 861 in the preferred colour Window grey, RAL 7040

NEW From autumn 2013
Duragrain surface finishes in 24 decors



M-ribbed with the surface finish Duragrain / Decograin Rosewood

M-ribbed

Steel or solid timber panels





M-ribbed in Hemlock, impregnated at the factory



M-ribbed with the surface finish New Silkgrain in Traffic white, RAL 9016, with LED light strip on the lintel (for further information, see the garage and entrance gate operator brochure)



M-ribbed with the surface finish Woodgrain in the preferred colour Anthracite grey, RAL 7016 with a practical wicket door with trip-free threshold (see page 54)

Figure left: M-ribbed with the surface finish Duragrain Rusty Steel

Brief overview

Door versions



LPU



EPU



LTE*



LTH

Steel panel surface finishes



Woodgrain
LPU, EPU, LTE*



New Silkgrain **// NEW**
LPU



New Silkgrain Titan **// NEW**
LPU



Micrograin
LPU



Decograins
Duragrains **// NEW**
LPU

Solid timber panels



Nordic Pine,
Hemlock
LTH

* LTE only in Traffic white

Design overview

From page 43

Surface finishes and colours

From page 52

Dimensions and fitting data

From page 78

L-ribbed

The door style with superior elegance





NEW

**Surface finish New Silkgrain Titan
for the same price as New Silkgrain Traffic white**



L-ribbed with the surface finish New Silkgrain Titan

L-ribbed

Steel or solid timber panels



L-ribbed with the surface finish New Silkgrain Titan



L-ribbed with the surface finish Duragrain Weathered Look

L-ribbed with the surface finish Duragrain Terra Walnut





L-ribbed with the surface finish New Silkgrain
in the preferred colour Ochre brown, RAL 8001



Brief overview

Door versions



LPU



LTH

Steel panel surface finishes



Woodgrain
LPU



New Silkgrain **// NEW**
LPU



New Silkgrain Titan **// NEW**
LPU



Micrograin
LPU



Duragrains decors **// NEW**
LPU

Solid timber panels



Nordic Pine,
Hemlock
LTH

Design overview

From page 44

Surface finishes and colours

From page 52

Dimensions and fitting data

From page 78

Design L-ribbed

With stainless steel embellishments and glazing elements



Design L-ribbed style 461 with glazing elements in the preferred colour Ruby red, RAL 3003
Hörmann aluminium entrance door TopPrestige style 173



Design L-ribbed style 450
in the preferred colour Light grey, RAL 7035
Hörmann aluminium entrance door TopPrestige style 693



Design L-ribbed style 457
in Traffic white, RAL 9016
Hörmann entrance door system TopPrestige style 188



Garage and entrance doors in matching styles



Brief overview

Door versions



LPU

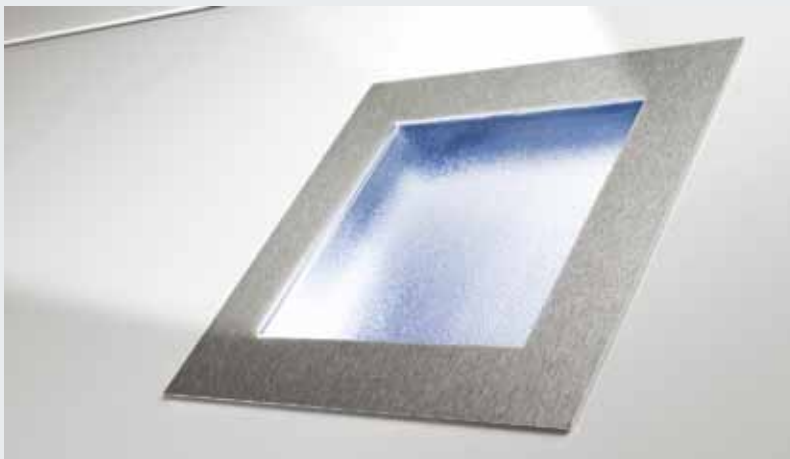
Steel panel surface finishes



New Silkgrain // **NEW**
LPU



New Silkgrain Titan // **NEW**
LPU



Design elements made of stainless steel or glass



More information can be found in the Aluminium entrance doors and ThermoPro entrance door brochures.

Design overview

From page 45

Surface finishes and colours

From page 52

Dimensions and fitting data

From page 78

Panelled

The door style for classic buildings





Panelled with the surface finish Woodgrain in the preferred colour Anthracite grey, RAL 7016

Panelled

Steel or solid timber panels



Panelled in Hemlock



Panelled with the surface finish Woodgrain in Traffic white, RAL 9016

Panelled with the surface finish Duragrain / Decograin Golden Oak



NEW From autumn 2013 Duragrain surface finishes in 24 decors



Panelled in Hemlock, impregnated and primed white

Brief overview

Door versions



LPU



EPU



LTE*



LTH

Steel panel surface finishes



Woodgrain
LPU, EPU, LTE*



Decograin decors
Duragrain decors // **NEW**
LPU

Solid timber panels



Nordic Pine,
Hemlock
LTH



* LTE only in Traffic white

Design overview

From page 46

Surface finishes and colours

From page 52

Dimensions and fitting data

From page 78

Aluminium sectional door ALR

For individual designs on site



Aluminium sectional door ALR with on-site cladding



Aluminium sectional door ALR with on-site cladding



ALR **For exclusive** **facade designs**

With the aluminium sectional door, your garage door is seamlessly integrated into the overall design of your home.

The door basis for facade cladding is a Hörmann industrial sectional door ALR with an aluminium frame construction and PU sandwich infill.

You can design the on-site, flush-fitting cladding according to your wishes with timber, metal, ceramic, plastic and many additional materials. Please consult your Hörmann partner.



You can find detailed technical manuals at www.hormann.co.uk/documentation/technical-manual



Aluminium sectional door ALR Vitraplan

ALR Vitraplan

The door is especially elegant thanks to offset, flush-fitting glazing. The frame profile is concealed, so nothing detracts from the overall appearance. This exclusive door fascinates with a mix of mirroring and transparency.

Detailed information can be found in the Industrial sectional garage door brochure.

Steel sectional door SPU F42 Plus

For wide door openings up to 7000 mm



M-ribbed with the surface finish New Silkgrain Titan

L-ribbed with the surface finish New Silkgrain in the preferred colour Light grey, RAL 7035



in S, M, L-ribbed version



L-ribbed with the surface finish New Silkgrain Titan



Brief overview

Door version



SPU F42 Plus

S-ribbed steel panel surface finishes



Woodgrain
SPU F42 Plus

M/L-ribbed steel panel surface finishes



Woodgrain
SPU F42 Plus



New Silkgrain **// NEW**
SPU F42 Plus



New Silkgrain Titan **// NEW**
SPU F42 Plus



Micrograin
SPU F42 Plus



Decograin decors
Duragrain decors **// NEW**
SPU F42 Plus



You can find detailed
technical manuals at
[www.hormann.co.uk/
documentation/
technical-manual](http://www.hormann.co.uk/documentation/technical-manual)



Please note the wider sideroom
of 125 mm and the higher required
headroom of 390 mm.

Detailed information can be found
in the Industrial sectional garage
door brochure.

Design timber doors

Rustic door styles or individual designs





Door style 403 in Nordic Pine with tropical green natural stone



An example of individual milling, painted white on-site



Door style 402 in Nordic Pine with a matching side door

Left figure: door style 405, painted white on-site with hinged door fitting kit and decorative handles

Brief overview

Door version



Solid timber panels



Individual designs

For example, displaying your initials, house number or your favourite motif. Just provide us with an appropriate drawing and we will create a personal garage door for you. It will be an enviable original.

Design overview

From page 47

Surface finishes and colours

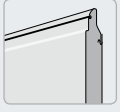
From page 53

Dimensions and fitting data

From page 78

S-ribbed

Design overview of doors and side doors

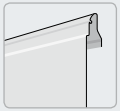


LPU
Double-skinned insulated steel sandwich panels
 42 mm

Surface finish
 Woodgrain

Colours
 Traffic white (as standard)
 15 preferred colours
 RAL to choose

Max. dimensions
 Width 6000 (7000*) mm
 Height 3000 (5000*) mm
 * SPU F42 Plus

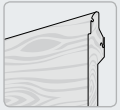


LTE
Single-skinned steel panels

Surface finish
 Woodgrain

Colour
 Traffic white (as standard)

Max. dimensions
 Width 5000 mm
 Height 3000 mm



LTH
Solid timber panels

Types of timber
 Nordic Pine
 Hemlock

Max. dimensions
 Width 5000 mm
 Height 3000 mm



LTE, LPU, Woodgrain



LTH, Nordic Pine



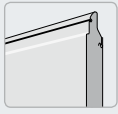
LTH, Hemlock

The figures show a door for an opening of 2500 x 2125 mm and a matching side door for an opening of 1000 x 2125 mm

M-ribbed

Design overview of doors and side doors

NEW From autumn 2013
Duragrain surface finish



LPU
Double-skinned steel sandwich panels 42 mm

Surface finishes

Woodgrain
New Silkgrain **// NEW**
Micrograin

Colours

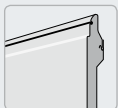
Traffic white (as standard)
New Silkgrain Titan **// NEW**
15 preferred colours
RAL to choose

5 Decograin decors

24 Duragrain decors // NEW

Max. dimensions

Width 6000 (7000*) mm
Height 3000 (5000*) mm
* SPU F42 Plus



EPU
Double-skinned steel sandwich panels 42 / 20 mm

Surface finish

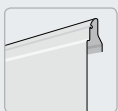
Woodgrain

Colours

Traffic white (as standard)
15 preferred colours
RAL to choose

Max. dimensions

Width 5000 mm
Height 3000 mm



LTE
Single-skinned steel panels

Surface finish

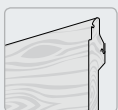
Woodgrain

Colour

Traffic white (as standard)

Max. dimensions

Width 3000 mm
Height 3000 mm



LTH
Solid timber panels

Types of timber

Nordic Pine
Hemlock

Max. dimensions

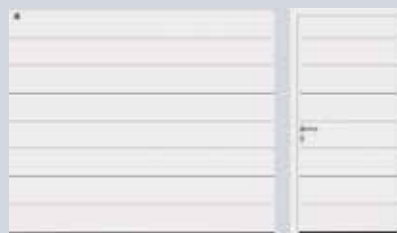
Width 5000 mm
Height 3000 mm



LTE, EPU, LPU, Woodgrain



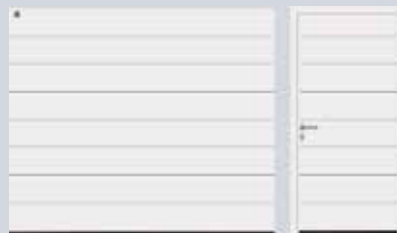
LPU, New Silkgrain Titan **// NEW**



LPU, New Silkgrain **// NEW**



LPU, Decograin / Duragrain **// NEW**



LPU, Micrograin

Duragrain surface finish available in 24 decors
(You can find all decors on page 52)



LTH, Nordic Pine



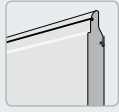
LTH, Hemlock

The figures show a door for an opening of 2500 x 2125 mm and a matching side door for an opening of 1000 x 2125 mm

L-ribbed

Design overview of doors and side doors

NEW From autumn 2013
Duragrain surface finish



LPU
Double-skinned insulated steel sandwich panels
42 mm

Surface finishes

Woodgrain
New Silkgrain **// NEW**
Micrograin

Colours

Traffic white (as standard)
New Silkgrain Titan **// NEW**
15 preferred colours
RAL to choose

24 Duragrain decors **// NEW**

Max. dimensions

Width 6000 (7000*) mm
Height 3000 (5000*) mm
* SPU F42 Plus



LTH
Solid timber panels

Types of timber

Nordic Pine
Hemlock

Max. dimensions

Width 5000 mm
Height 3000 mm



LPU, Woodgrain



LPU, New Silkgrain Titan **// NEW**



LPU, New Silkgrain **// NEW**



LPU, Duragrain **// NEW**



LPU, Micrograin

Duragrain surface finish available in 24 decors
(You can find all decors on page 52)



LTH, Nordic Pine

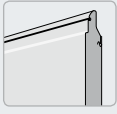


LTH, Hemlock

The figures show a door for an opening of 2500 x 2125 mm and a matching side door for an opening of 1000 x 2125 mm

Design L-ribbed

Design overview of doors and side doors



LPU
Double-skinned insulated steel sandwich panels
42 mm

Surface finish
 New Silkgrain **// NEW**

Colours
 Traffic white (as standard)
 New Silkgrain Titan **// NEW**
 15 preferred colours
 RAL to choose

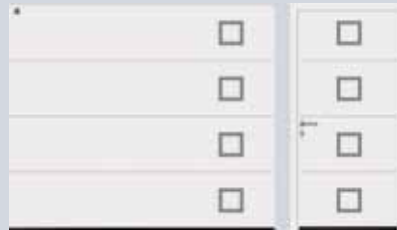
Max. dimensions
 Width 6000 (7000*) mm
 Height 3000 (5000*) mm
 * SPU F42 Plus



LPU, New Silkgrain Style 450



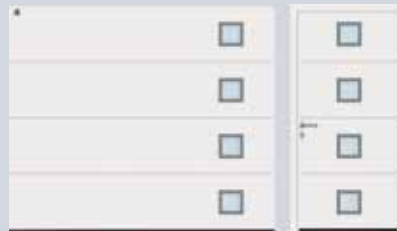
LPU, New Silkgrain Style 456



LPU, New Silkgrain Style 451



LPU, New Silkgrain Style 457, left arrangement, mirrored style



LPU, New Silkgrain Style 461 with glazing



LPU, New Silkgrain Style 458



LPU, New Silkgrain Style 452



LPU, New Silkgrain Style 459



LPU, New Silkgrain Style 462 with glazing



LPU, New Silkgrain Style 469 with glazing



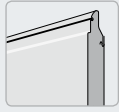
LPU, New Silkgrain Style 454, centre arrangement

The figures show a door for an opening of 2500 x 2125 mm and a matching side door for an opening of 1000 x 2125 mm

Panelled

Overview of door and side door styles

NEW From autumn 2013
Duragrain surface finish



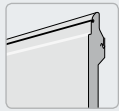
LPU
Double-skinned steel sandwich panels 42 mm

Surface finish
Woodgrain

Colours
Traffic white (as standard)
15 preferred colours
RAL to choose

5 Decograin decors
24 Duragrain decors // NEW

Max. dimensions
Width 5500 mm
Height 3000 mm

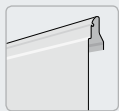


EPU
Double-skinned steel sandwich panels 42 / 20 mm

Surface finish
Woodgrain

Colours
Traffic white
15 preferred colours
RAL to choose

Max. dimensions
Width 5000 mm
Height 3000 mm

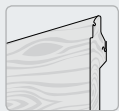


LTE
Single-skinned steel panels

Surface finish
Woodgrain

Colour
Traffic white

Max. dimensions
Width 3000 mm
Height 3000 mm



LTH
Solid timber panels

Types of timber
Nordic Pine
Hemlock

Max. dimensions
Width 5000 mm
Height 3000 mm



LPU, EPU, LTE, Woodgrain



LPU, Decograin / Duragrain // **NEW**



LTH, panelled, Nordic Pine



LTH, panelled, Hemlock

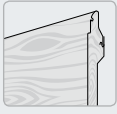
Duragrain surface finish
available in 24 decors
(You can find all decors
on page 52)



The figures show a door for an opening
of 2500 x 2125 mm
and a matching side door for an opening
of 1000 x 2125 mm

Design timber doors

Design overview



LTH

Solid timber panels

Types of timber

Nordic Pine

Hemlock (not shown)

Max. dimensions

Width 5000 mm

Height 3000 mm

Setting accents

Choose from 3 natural stones.

In styles 403 and 404, natural stone is used as an attractive design feature. Variations in colour and structure are a natural characteristic.

Individual designs

Design your own timber door:

A simple drawing is enough for us to manufacture an individual door for you using a computer-aided mill.



LTH Nordic Pine Style 401



LTH Nordic Pine Style 402



LTH Nordic Pine Style 403



LTH Nordic Pine Style 403 with natural stone



Tropical-green



Multicolour-red



LTH Nordic Pine Style 404



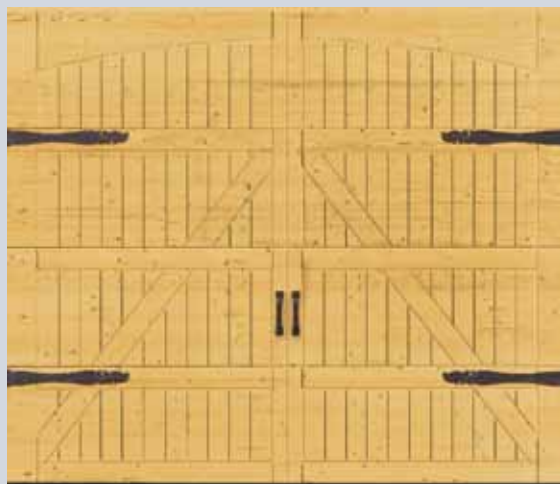
LTH Nordic Pine Style 404 with natural stone



Balmoral-rosso



LTH Nordic Pine Style 405



LTH Nordic Pine Style 405, with exclusive hinged door fitting kits and decorative handles (optional)

On request, each garage door can be supplied with a matching side door.

The figures show a door for an opening of 2500 x 2125 mm

Door Handles



Polished stainless steel



Black plastic



White cast aluminium, RAL 9016



Silver cast aluminium



Brushed stainless steel



Brown cast aluminium, RAL 8028

The flush-fitting cylinder can also be mastered with other locks in your home.

All colours based on RAL.

More security and better protection against burglars

For garages without a second access door, we offer you the following options to open your automatic garage door from the outside in an emergency (e.g. in the event of a power failure).

Emergency release lock

For automatic sectional doors where no handle is desired, we recommend an emergency release lock with round cylinder (cannot be mastered with other locks in your home).

Door handles including lock

Can be integrated in the master key system. A Bowden cable on the inside unlocks the door.



Emergency release lock



Latch lock

Burglar-proof, manually operated doors

In this lock, a sturdy automatic latching spring disc grips round a solid steel bolt to securely retain the door. Intruders don't stand a chance!

Glazings



Clear synthetic glazing from Hörmann comes as standard with DURATEC glazing.

It offers:

- **Maximum scratch resistance**
- **A permanently clear view**
- **Improved thermal insulation**

Glazing type D

For all door types and side doors with ribbed design, in the surface finishes Woodgrain and Duragrain / Decograin. Plastic glazing frame in black, white or in door colour on request, glazing depending on door type with single or double synthetic panes, in clear or crystal structure.

Aluminium frames

For all door types and side doors with ribbed design, anodised aluminium glazing frame (DIN 17611), surface finish anodised in a natural finish E6 / C0 (previously E6 / EV 1). Available on request in door colour as standard profile (NF) or profile with thermal breaks (WF), glazing with single or double synthetic panes, in clear or crystal structure.

Classic glazing

For all door types and side doors with ribbing and panelling.

Sunrise glazing

For all door types and side doors with ribbing and panelling, glazing frames and decorative rails: plastic, standard white, on request in door colour, with Duragrain / Decograin doors.

Frame is painted in a colour matching the door, glazing depending on door type with single or double synthetic panes, in clear or crystal structure.

V-panelled glazing

Overall frame dimension dependent on the panel or door size.

Note:

Glazings not possible in the two bottom door sections.



Glazing type D



Aluminium frames



Classic glazing S0



Classic glazing M0



Classic glazing L0



Classic glazing S1



Classic glazing S2



Classic glazing M2



Sunrise glazing S10



Sunrise glazing S60



V-panelled glazing V0

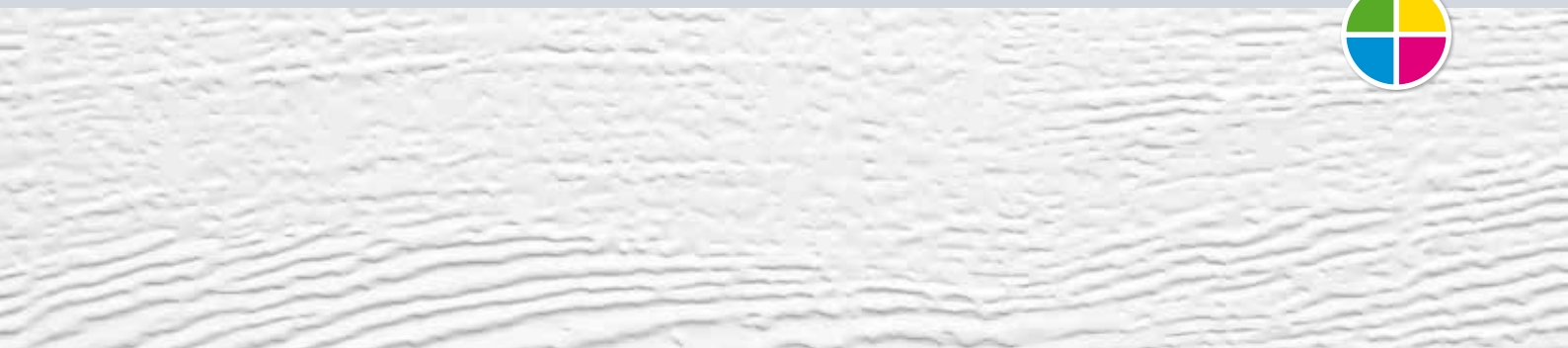
On left: Example of classic glazing in a 2500-mm-wide door.

Your Hörmann partner can show you further Sunrise glazing designs.

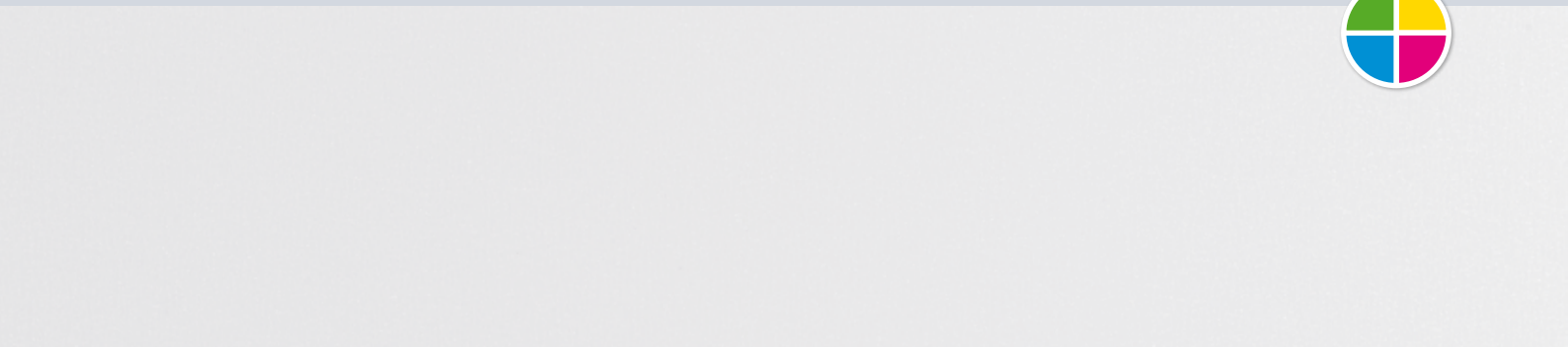
Surface finishes and colours

It's your choice

4 surface finishes



Woodgrain, Traffic white, RAL 9016



New Silkgrain, Traffic white, RAL 9016 **// NEW**



New Silkgrain Titan **// NEW**



Micrograin, Traffic white, RAL 9016

As standard in inexpensive Traffic white

Woodgrain

On this robust surface with an authentic sawn timber look, minor scratches can be repaired without leaving any visible sign of damage.

New Silkgrain // NEW

This elegant surface finish with its fine structure fits particularly well with modern architecture.

New Silkgrain Titan // NEW

The new anthracite-coloured surface finish Titan with its elegant structure is available at the same price as the inexpensive New Silkgrain Traffic white.

Micrograin

This surface features a wave profile that is embossed into smooth steel, producing attractive light and shadow effects.
















Sectional garage doors are generally supplied in Grey white, RAL 9002 on the inside of the door.

Dark colours should not be used for double-skinned steel doors that are exposed to the sun, as possible section deflection may restrict the door's function.

All colours based on RAL.

The colours and surfaces shown are subject to the limitations of the printing process and cannot be regarded as binding. Please consult with your local Hörmann specialised dealer.

15 preferred colours

	Grey aluminium	RAL 9007
	White aluminium	RAL 9006
	Terra brown	RAL 8028
	Clay brown	RAL 8003
	Ochre brown	RAL 8001
	Window grey	RAL 7040
	Light grey	RAL 7035
	Stone grey	RAL 7030
	Anthracite grey	RAL 7016
	Fir green	RAL 6009
	Moss green	RAL 6005
	Pigeon blue	RAL 5014
	Steel blue	RAL 5011
	Ruby red	RAL 3003
	Light ivory	RAL 1015

15 equally-priced preferred colours

Double-skinned EPU and LPU garage doors and side doors are additionally available as standard in Traffic white, RAL 9016, as well as in 15 inexpensive preferred colours and in around 200 colours from the RAL colour chart*. Single-skinned LTE doors only come in Traffic white.

The surfaces are perfectly protected against rust. Rain runs off without leaving any streaky marks thanks to the use of hot-galvanized material and a high-quality polyester-primer coating on both sides. A grey haze from air pollution is largely prevented.

* With the exception of pearl-effect, fluorescent and metallic colours.

Decograin / Duragrain surface finish



24 Duragrain decors / 5 Decograin decors (•)



Dark Oak •



Golden Oak •



Light Oak •



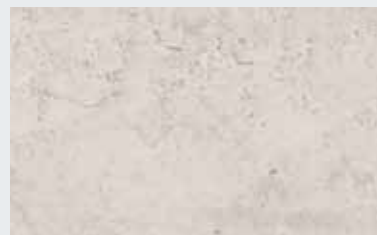
Night Oak •



Rosewood •



Bambus (Bamboo)



Beton (Concrete)



Burned Oak



Cherry



Fichte (Pine)



Nature Oak



Noce Sorrento Balsamico



Noce Sorrento Natur
(Noce Sorrento, plain)



Rusty Oak



Rusty Steel



Sapeli (Sapele)



Sheffield



Teak



Used Look (Weathered Look)



Walnuss Kolonial (Colonial Walnut)



Walnuss Terra (Terra Walnut)



White Oak



Whitewashed Oak



Winchester

NEW From autumn 2013 Duragrain surface finish

Types of solid timber

Duragrain surface finish

Decor coating with ultra-resistant protective paint

The highly scratch-proof and UV-resistant surface finish guarantees your door's permanent attractive appearance. The 24 decors are detailed, natural and colourfast. The inside is Grey white, RAL 9002. When the door is opened, a thin white stripe can be seen between the sections.

Side frames and fascia panels are delivered in Woodgrain, RAL 9016 as standard. Optionally, fascia panels and frame fascias are also available in a colour matching the decor or in the Decograins Dark Oak, Golden Oak, Light Oak, Night Oak as well as Rosewood.

Decograins surface finish

The decors Dark Oak, Golden Oak, Light Oak, Night Oak and Rosewood are still available as Decograins surface finishes until autumn 2013 (•).

2 types of solid timber



Nordic Pine solid timber



Hemlock solid timber

Nordic Pine is a light-coloured softwood with predominantly straight graining. Heart shakes, individual resin pockets, spiral graining and the yellowish brown "knots" are natural characteristics of the wood.

Hemlock is a greyish white to light-greyish brown softwood with predominantly straight grain, brown mineral stripes along the grain and with bark pockets.

The timber is impregnated at the factory to protect it against insect and fungal attack. To protect it from weathering and retain its beautiful appearance, please treat the timber with a wood preservative.

Duragrains / Decograins steel doors are generally supplied in Grey white RAL 9002 on the inside of the door.

Dark surface finishes should not be used for double-skinned steel doors that are exposed to the sun, as possible section deflection may restrict the door's function.

The colours and surfaces shown are subject to the limitations of the printing process and cannot be regarded as binding. Please consult with your local Hörmann specialised dealer.

Wicket doors with trip-free threshold

A door in the door





Unhindered access to the garage for doors up to 4000 mm width

Only Hörmann offers a wicket door stainless steel threshold that is only 10 mm in the centre and 5 mm high at the sides. This reduces the risk of tripping up and makes it easier to wheel things through.

The aluminium door frame is anodised as standard in a natural finish and is also available in the door colour.

The top garage door section, also in the wicket door area, comes with a continuous lintel seal. Fittings: overhead door closer, mortice lock with profile cylinder, lever handle set (offset/flat) with oval rose escutcheons.

Wicket doors generally open outwards.

As standard with slide rail door closer

The proven slide rail door closer is supplied without a hold-open device. Available on request with a hold-open device.

Optional with an integrated door closer

The integrated door closer with hold-open device is concealed in the door and frame and therefore particularly elegant and safe (see figure 1).

Optional multiple-point locking

Multiple-point locking offers increased break-in-resistance and additional stability with one bolt and hook bolt per section (see figure 2). The wicket door is also closed more tightly and the door leaf is held firmly over the entire height.

For information on order options or glazing specifications, please see the price list or ask your Hörmann partner.



A wicket door gives you easy access to everything in the garage: gardening equipment, bicycles or wheelbarrows.



On request, Duragrain / Decograin wicket doors can be supplied with the frame painted to match the colour of the decorative finish.



Note: To further increase the safety of your garage door with wicket door and trip-free threshold, we recommend using the optional leading photocell VL 2.



Manually-operated garage doors with a wicket door do not have an outside handle. They are locked from the inside.



The panel divisions may not be matching for combined panelled doors with and without wicket doors with the same width.

Side doors

A matching side door for every garage door



Hörmann offers matching side doors for all of its garage doors.
On request in the exact same alignment as your sectional garage door.

The perfect addition: a side door to match your garage door

NEW**Also available in
a double-leaf version**

Ready-to-fit door set

Hörmann side doors are supplied ready-to-fit with profile cylinder mortise lock, round handle/lever handle set with oval rose escutcheons and on models with block frame with 3-way adjustable hinges. Door leaf frames are made of weather-proof aluminium extrusions (depth 60 mm) with all-round seals.

Side doors are available in the surface finishes: Woodgrain, New Silkgrain, New Silkgrain Titan, Micrograin and Duragrain / Decograin.
We offer timber doors in Nordic Pine and Hemlock.



Narrow surround

Depending on the height of the door, variable handle position between 898 and 1064 mm from FFL (see the technical manual).

Aluminium block frame (profile type 1)
for fitting behind the opening
or in the opening (opening inwards)

Aluminium corner frame (profile type 1)
for internal fitting

Aluminium corner frame (profile type 3)
for external fitting



Broad surround

Lever height set at 1050 mm from FFL

Aluminium block frame (profile type 2)
for fitting behind the opening or in the opening (opening inwards or outwards)

Aluminium corner frame (profile type 2)
for internal or external fitting

For further information, please see the fitting data or contact your Hörmann partner.



Lever handle set

Choose between the standard plastic lever handle in black or optional lever handle or lever / knob handle set in many other materials (Fig: stainless steel lever handle set).



Matching

Duragrain / Decograin side doors in the surface finishes Dark Oak, Golden Oak, Light Oak, Night Oak and Rosewood with block frame or corner frame, come with identical surfaces for the frame, subframe and door to create a matching appearance. On request, all other Decograin wicket doors can be supplied with the frame painted to match the colour of the decor.



Break-in-resistant

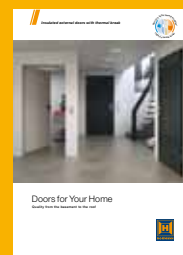
3-point locking as optional equipment for profile type 2 with latch, bolt, 2 locking hooks and security rose escutcheon class 2 according to DIN V ENV 1627-1630.



The alternative side door – multi- purpose door MZ Thermo

**External door with
thermal break and
the best thermal
insulation values**

- MZ Thermo with a U-value = 1.2 W/(m²·K)
- Optionally available in a RC 2 KSI Thermo version



More information can be found in the Doors for your home brochure.

Modernise and improve

Hörmann offers premium solutions for every fitting and renovation situation



At some point it is simply time to modernise your garage door. The best partner for this: Hörmann and its inexpensive standard sizes, especially for modernisation purposes. Hörmann can provide you with an attractive and appropriate solution for any fitting situation.

Benefit from affordable standard sizes



These Hörmann standard sizes will save you money and get you using your new sectional door faster.

Modernise with inexpensive and quickly available standard sizes

Hörmann offers many standard sizes that can easily be installed into your existing garage opening. Most of Hörmann's modernisation sizes are available directly from stock and therefore get to you quickly. Of course, we can also easily provide you with any required special solutions.

Everything from a single source with your Hörmann partner

Your Hörmann service partner can make modernisation easier than you think: from personal consultation to proper disassembly and environmentally-friendly disposal of your old door, as well as correctly dimensioned fitting.



Your Hörmann partners will gladly explain the benefits of a sectional garage door.

Trouble-free, simple fitting

For standard fitting, Hörmann delivers the sectional doors with all necessary fitting material. For problematic fitting situations, Hörmann has developed a special universal anchor that can be used to fasten the frame on the sides. The design flexibly compensates for any irregularities in the walls.

Clean bottom door edge for an attractive appearance

Hörmann offers attractive solutions for every fitting situation. This saves fitting time and reduces costs. Visible gaps between frames and the reveal can thus be covered with a frame covering, an optional retrofit fascia or a fascia frame set. Of course, all this comes in surface finishes and colours that match the door.

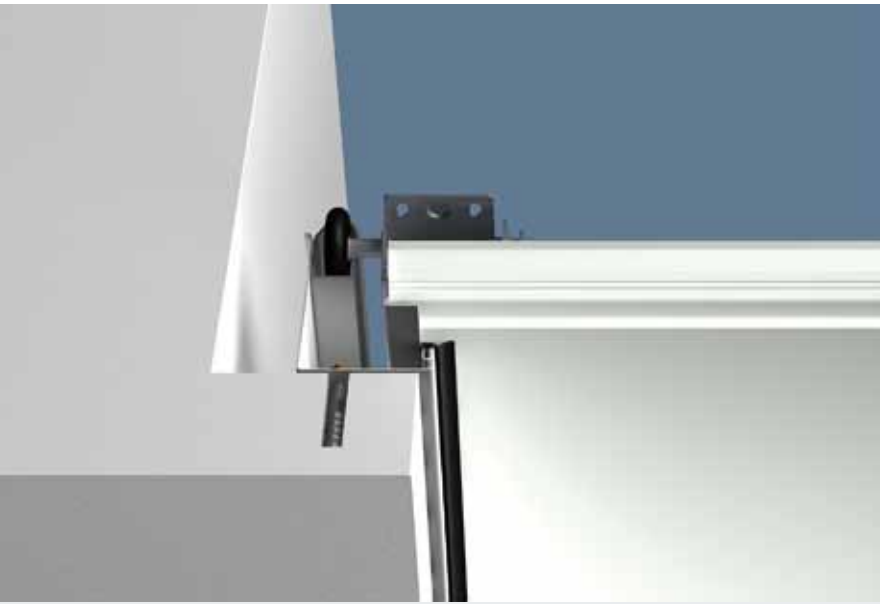
On the following pages you will find numerous solutions for every fitting situation.



Your door is fitted within a day – of course with operator plus convenient remote control

Properly mounted and fitted

Standard fitting and special anchors for side fixing



Everything standard

The sectional door can be fitted behind the opening. The reveal guarantees stable fitting. This allows the frame to be screwed directly into the wall behind the opening.

Standard fitting

Ideally, the available garage has at least 100 mm of clearance in the lintel area (at least 115 mm for doors with operators) and a 90 mm sideroom.

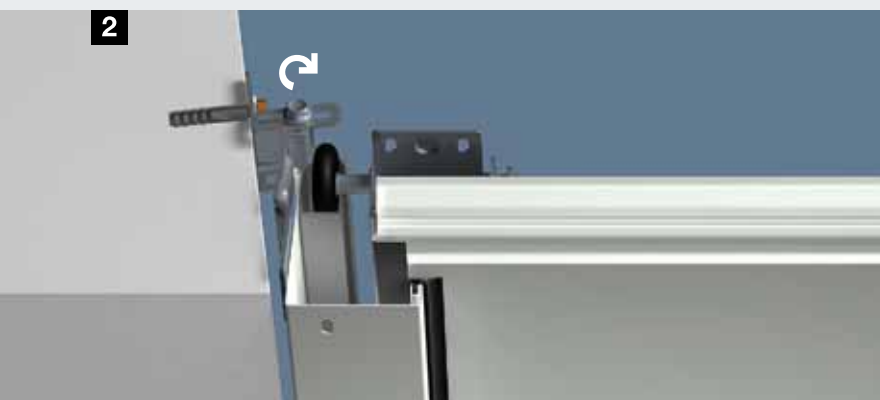
Hörmann sectional doors come with all the necessary fitting materials for this situation.



Optional special anchor for frame side fixing

The sectional door frame can be fitted to the side wall of the garage with Hörmann's special universal anchors. Irregularities in the wall can be easily compensated for leaving the reveal intact.

1 Fitting with up to 35 mm wall spacing



2 Fitting with angled or irregular side wall



3 Fitting with non-load bearing facades (facing brick or thermal insulation) with at least 90 mm / 125 mm sideroom

For further information, please see the fitting data or contact your Hörmann partner.

Properly adjusted

Fascia panels to create the look of a single unit



Fascia panels

For standard fitting behind the opening with small lintel space

Our standard fascia panels always match the door* and can thus be visibly mounted in the opening.

* With the exception of Duragrain doors, see pages 52-53



Double-skinned fascia panel

For fitting in the opening with larger gap to the ceiling

A matching, double-skinned fascia panel covers the gap between the ceiling and fascia panel.



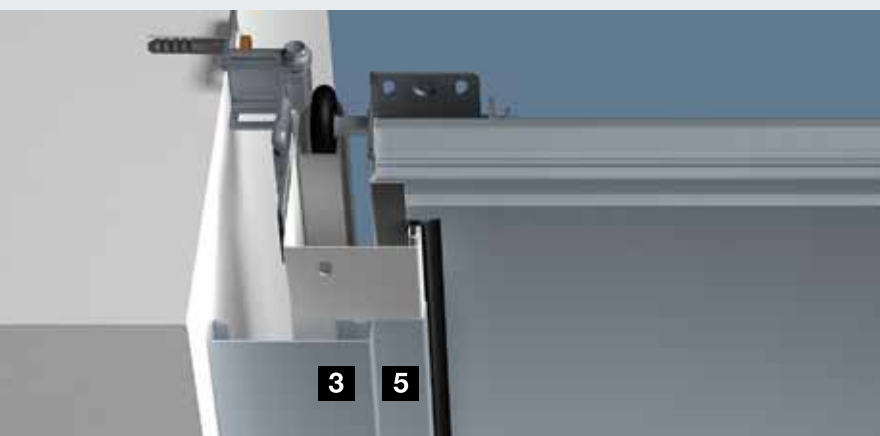
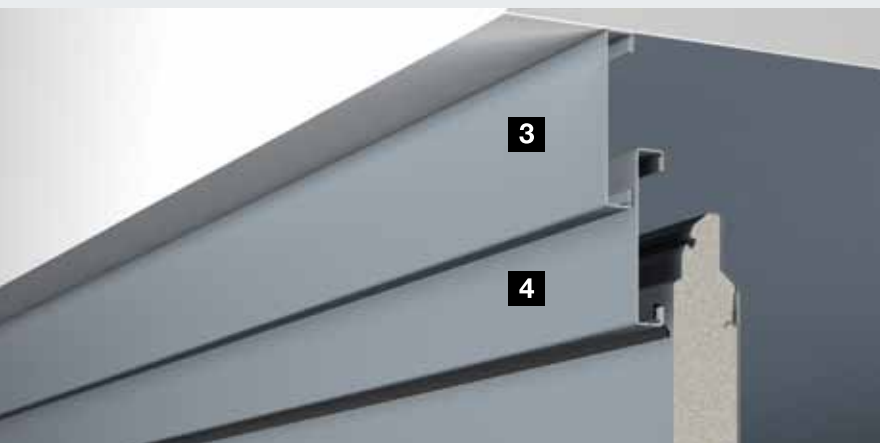
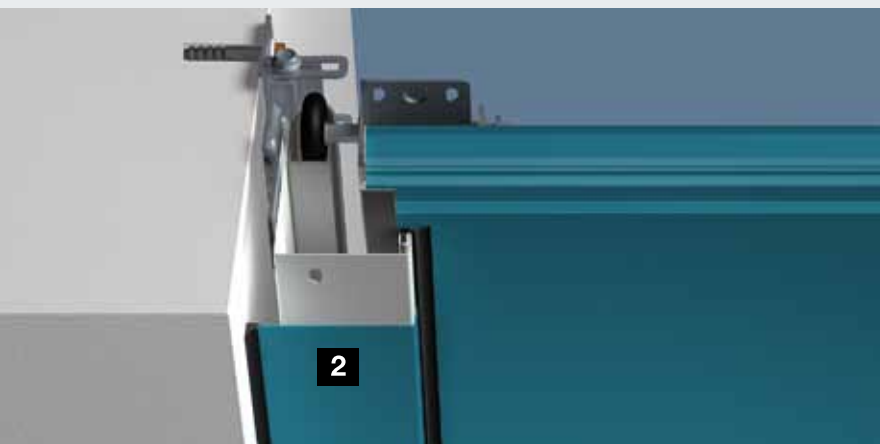
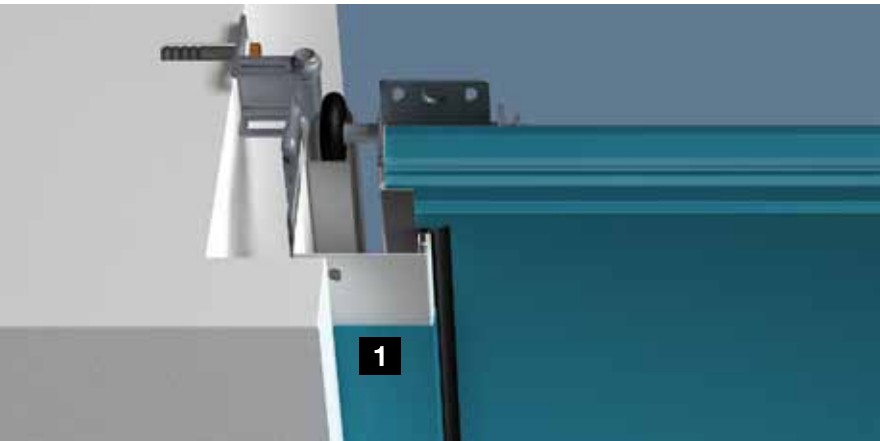
Flush-fitting fascia panels

For LPU doors, a fascia panel is the most elegant solution for an invisible transition between the panel and door leaf. When the door is closed, the top door section is flush with the panel. It is available in all door styles (panels available on request).

For further information, please see the fitting data or contact your Hörmann partner.

Overall beautiful appearance

Frame covering and fascia frame set



Frame covering in the colour of the door

At Hörmann, side frames are delivered in Woodgrain white. The frame covering can be used to match the side frame to the door surface finish, colour or decor. (for Micrograin doors with a smooth surface finish, Duragrain doors, see pages 52-53)

Two different widths make it possible to cover the side frame for different fitting situations.

1 55-mm-wide frame covering for a fitting behind the opening, with little sideroom (< 90 mm)

2 90-mm-wide frame covering for fitting in the opening, flush with the wall

Fascia frame set for lintel and side

A door in an inexpensive standard or modernisation size can be fitted in the opening. The remaining gap between the side wall and door frame (max. 35 mm) is covered using a fascia frame set **3**.

This set comes with fascia panels, end caps and fixing materials. (for Micrograin doors with a smooth surface finish, Duragrain doors, see pages 52-53)

The standard fascia panel **4** comes in the style of the door.* Additionally, the side frame is covered with the frame covering **5**.

* With the exception of Duragrain doors, see pages 52-53

For further information, please see the fitting data or contact your Hörmann partner.

Solutions for special fitting situations

Retrofit fascias



Retrofit fascia set

To properly cover damaged wall edges

Unattractive gaps in the lintel and opening areas can be covered easily with the optional retrofit fascia, doing away with the need for additional bricklaying and plastering work.

Delivered in a set with 3 fascia panels (each 3 m long) and available in all surfaces and colours to match the door (for Micrograin doors with a smooth surface finish, Duragrain doors, see pages 52-53).



Overall solution for sectional doors in concrete pre-fabricated garages

Broader fascia panels for fitting in concrete pre-fabricated garages perfectly cover the lintel area of the opening.

The special door frame with pre-fitted anchors and frame fascias is fitted to the side wall or on the conical sideroom. The wide frame fascia covers the existing gap between the frame and the opening.

This door version is available in the surface finishes Woodgrain, New Silkgrain and Micrograin in all colours.



For further information, please see the fitting data or contact your Hörmann partner.

Hörmann's high-quality garage door operators

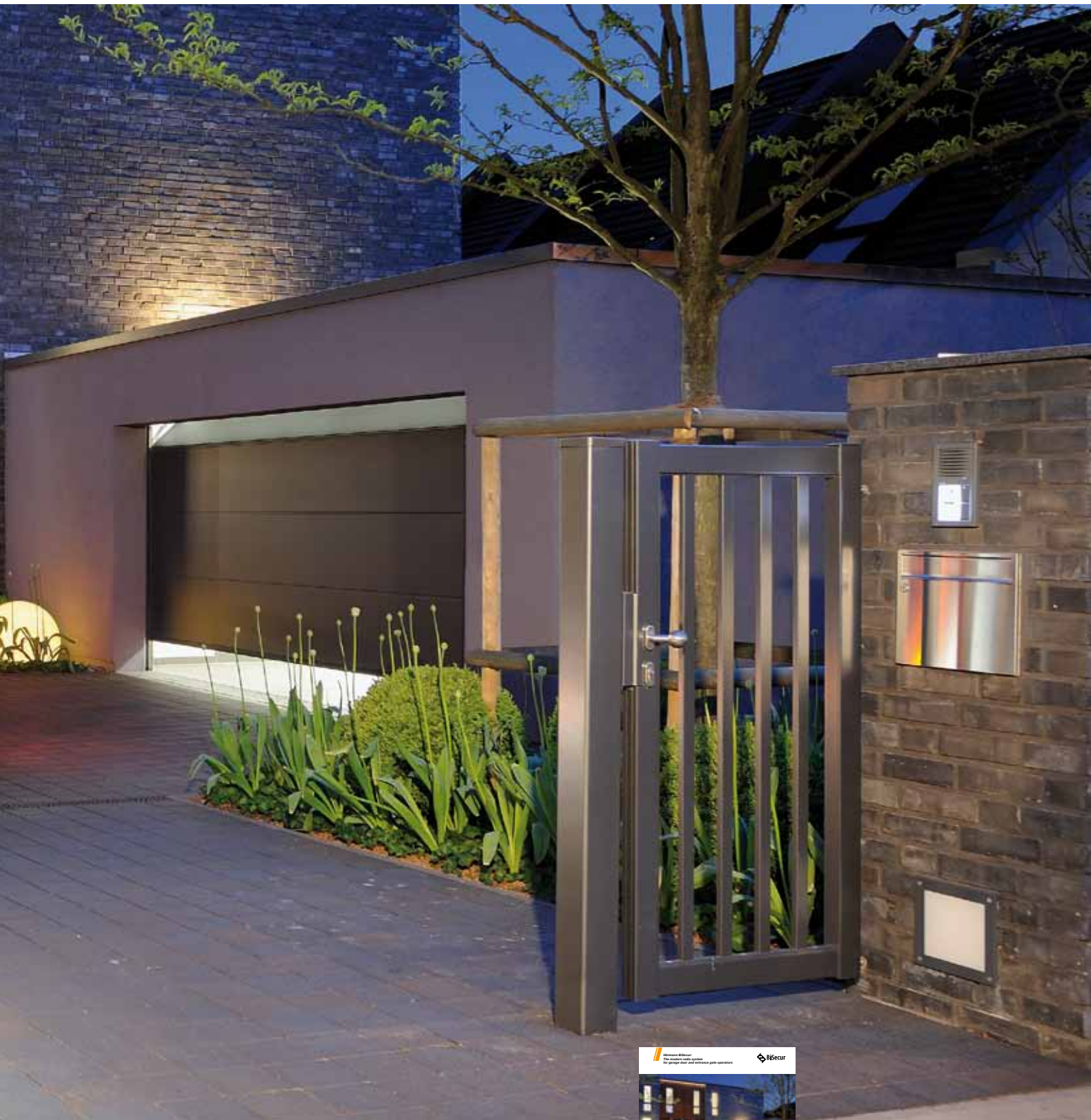
Reliable, safe and maintenance-free



Hörmann operator technology
Sophisticated and innovative technology that makes your life more convenient and safe.



**Garage door and entrance gate operators:
Everything perfectly matched from a single source**



More information can be found in the Garage door and entrance gate operators brochure.

Two operator variants

Security both day and night
with automatic locking



SupraMatic

The supra-fast operator with many additional functions.



As standard with a black HS 5 BS hand transmitter and a black HSE 2 BS hand transmitter



ProMatic

The good-value starter model as an introduction to Hörmann's premium quality



ProMatic Akku
The optional solar module handles the battery recharge.



As standard with two black HSE 2 BS hand trasmitters



SupraMatic

- 5-button hand transmitter HS 5 BS (black) including inquiry of the door position and (black) HSE 2 BS hand transmitter
- Low power consumption costing only around £3 per year**
- Extremely easy programming thanks to 2 x 7-segment display
- Halogen lighting can be switched on/off separately
- Additional opening height for a well-ventilated garage
- Operator cover made of brushed aluminium

SupraMatic E

Pull and push force: 650 N
 Peak force: 800 N
 Opening speed: max. 22 cm/s
 Door width: up to 5500 mm (max. 13.75 m² door surface)

SupraMatic P

incl. photocell
 Pull and push force: 750 N
 Peak force: 1000 N
 Opening speed: max. 22 cm/s
 Door width: up to 6000 mm (max. 15 m² door surface)
 For heavy timber doors and doors with wicket doors

ProMatic

- Two 2-button hand transmitters HSE 2 BS (black)
- Additional opening height for a well-ventilated garage

ProMatic

Pull and push force: 600 N
 Peak force: 750 N
 Opening speed: max. 14 cm/s
 Door width: up to 5000 mm (max. 11 m² door surface)

ProMatic Akku

For garages without power connection
 Pull and push force: 350 N
 Peak force: 400 N
 Opening speed: max. 13 cm/s
 Door width: up to 3000 mm (max. 8 m² door surface)



Automatic door locking

The door automatically locks on closing, making it impossible to lever it open. This unique automatic latching system is a mechanical device and therefore remains fully functional even in the event of a power failure.



Photocell EL 101

Increased security

Families with children particularly appreciate extra safety. A photocell installed in the garage opening immediately stops the door before it encounters an obstruction. An extra bit of protection for a minimal cost.

* The complete warranty conditions can be found at: www.hormann.co.uk

** With 5 door cycles per day and an electricity price of 0.25 pounds/kWh

Mobile and stationary radio accessories



reddot design award
honourable mention 2011



**Hand transmitter
HS 5 BS**
4 button functions plus
inquiry button available
in black and white;
full scope of function
only with SupraMatic
and ProMatic operators



**Hand transmitter
HS 4 BS**
4 button functions
(fig. left)

HS 1 BS
1 button function,
only available in black
(fig. right)



**Hand transmitter
HSE 2 BS**
2 button functions
incl. eyelet for key ring,
available in black and white



reddot design award
winner 2007



**Hand transmitter
HSD 2-A BS**
Aluminium look
(fig. left)

HSD 2-C BS
High-gloss chrome,
2 button functions,
can also be used
as a key chain
(fig. right)



**Hand transmitter
HSP 4 BS**
4 button functions,
with button lock-out,
incl. key ring



**Hand transmitter
HSZ 1 BS**
1 button function
(fig. left)

HSZ 2 BS
2 button functions,
for insertion in vehicle
cigarette lighter (fig. right)

**Hand transmitter
HSE 2 BS // NEW**
2 button function,
incl. key ring,
available in 5 colours
and 6 decor surface finishes



With Hörmann, everything fits together. Using the same hand transmitter you can operate your garage door, as well as your Hörmann entrance gate operator.

 **BiSecur**



FCT 3 BS
radio code switch
For 3 functions,
with illuminated buttons



FCT 10 BS
radio code switch
For 10 functions,
with illuminated buttons
and protective cover



Radio finger-scan
FFL 12 BS
For 2 functions
and up to 12 fingerprints



Radio internal push button
FIT 2
For 2 operators
or operator functions



Hand transmitter HS 5 BS with practical hand transmitter station

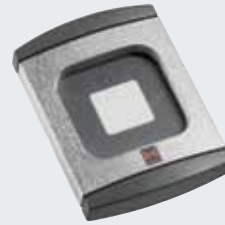


Hand transmitter HSD 2-C BS, for your key chain



Hand transmitter HSZ 2 BS,
always on hand in the cigarette lighter

Stationary accessories



Transponder key switch TTR 100 / TTR 1000

For 1 function with 2 keys
(more on request) for up
to 12/100/1000 keys.



Key switch STUP 40 / STAP 40

In recessed and
surface-mounted versions,
including 3 keys



Internal push button IT 3b

Along with a large illuminated
button for conveniently
opening the door, the
internal push button IT 3b
has two additional buttons.
These can be used to
control the operator light
and completely switch off
the radio-control system
for the operator, e.g. while
you are away on holiday
(for SupraMatic).

Light and safety accessories



Photocell EL 101

Photocell

Hörmann's reliable one-way photocell systems immediately stop the gate if the light beam is interrupted.



Emergency battery HNA

Emergency battery for garage door operators

With this emergency power supply, you can bypass network power failures for up to 18 hours and max. 5 door cycles. The emergency battery recharges itself during normal operation. Emergency batteries can be added to all current Hörmann garage door operators.



LED light strip fitted on the lintel

LED lighting for doors

An LED light strip with neutral white light puts your door and side door in the right light. The plug-in system can be shortened individually, making it a perfect fit for any door width. You can choose whether to mount the LED light strip on the lintel or on the bottom edge of the door leaf.

LED distance: 125 mm

Technically mature

Operating comfort with the highest security



Safety while operating the garage door is top priority for Hörmann. And Hörmann sets the standards for this with its innovative solutions. This has been proven time and time again through numerous Hörmann patents.

And this provides you and your family with safety during daily use.



Hörmann patent

Tension spring assembly with spring-in-spring system

Hörmann sectional doors with double tension springs and double cables per side safeguard the door leaf against crashing to the floor. Thanks to the patented spring-in-spring system, broken springs are prevented from flying out and causing injuries.

Sectional doors up to 3000 mm wide and 2625 mm high include the proven tension spring technology as standard.



Hörmann patent

Torsion spring technology with integrated spring safety device

Hörmann sectional doors incorporate torsion springs on both sides featuring a patented spring safety device. In the event of a spring breaking, they arrest the door immediately, thereby preventing the door leaf from crashing to the floor. Larger sectional doors and doors with integral wicket door or garage doors with solid timber panels feature torsion spring technology.



Hörmann patent

Secure guidance of the door in safety tracks

Adjustable, patented track rollers, sturdy roller holders and safety tracks ensure that there is no danger of the door “derailing”. The door sections are safely parked under the ceiling.



Finger trap protection on the inside, outside and on the hinges

The unique form of the door sections eliminates trap points, both between the sections and on the hinges. This reliable finger trap protection is only offered by Hörmann.



Trap guard on the side frame

With Hörmann, the frames are completely closed from top to bottom. There are no gaps between the door leaf and frame in which fingers could get trapped!



Safety features in accordance with European standard 13241-1

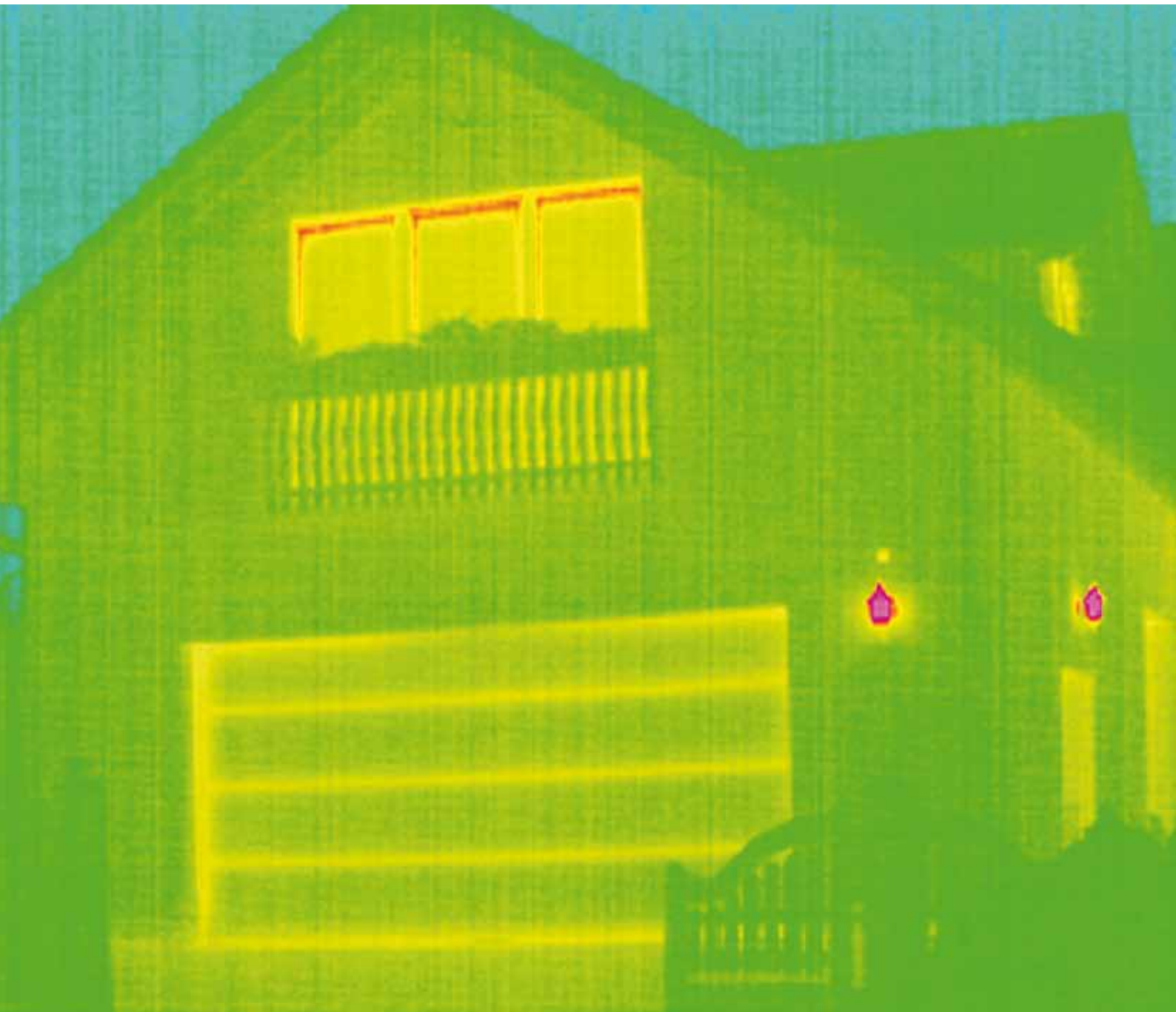
Anti-fall safeguard/trap protection

Hörmann sectional doors are tested and certified in accordance with the high safety requirements of European standard 13241-1, not only on their own but also in combination with operators. It would be hard to find a safer sectional door.

It pays to compare!

Optimum thermal insulation

Tested and certified



A well insulated garage door is always recommended when the garage and the home are directly connected. The ThermoFrame frame connection further improves the already high insulation values of the double-skinned Hörmann sectional garage doors.

This reduces your energy costs.



ThermoFrame Improved thermal insulation for sectional doors

The plastic profile that can be simply fitted together with the door frame, creates a thermal break between the frame and the brickwork, improving the thermal insulation by up to 15 %*.

In addition, extra lip seals on both sides and in the upper section of the door provide better sealing while lowering the loss of heating energy from the garage interior.

The ThermoFrame frame connection is optionally available for all Hörmann sectional garage doors.

Performance characteristics according to European standard 13241-1

At Hörmann, the four important characteristics of thermal insulation, acoustic insulation, tightness and sealing, and wind load for garage doors are tested and certified.

Thermal insulation

Double-skinned steel doors 42 / 20 mm	
Section	U = 1.0 W/(m ² ·K)
Door leaf	U = 1.4 W/(m ² ·K)
Fitted door ¹⁾	U = 1.8 W/(m ² ·K)
Double-skinned steel doors 42 mm	
Section	U = 0.5 W/(m ² ·K)
Door leaf	U = 0.9 W/(m ² ·K)
Fitted door ¹⁾	U = 1.4 W/(m ² ·K)
Single-skinned steel doors	
Door leaf	U = 6.0 W/(m ² ·K)
Fitted door ¹⁾	U = 6.5 W/(m ² ·K)
Doors with solid timber panels	
Door leaf	U = 2.5 W/(m ² ·K)
Fitted door ¹⁾	U = 3.0 W/(m ² ·K)

Acoustic insulation

Single-skinned steel doors	R = approx.20 dB
Double-skinned steel doors 42 / 20 mm	R = approx.21 dB
Double-skinned steel doors 42 mm	R = approx.25 dB

Sealing

Air	Single-skinned steel doors	Class 0 ²⁾
	Double-skinned steel doors ribbed (not L-ribbed)	Class 2
	Double-skinned steel doors panelled and L-ribbed	Class 3
	Doors with solid timber panels	Class 0 ²⁾
Water	Single-skinned steel doors	Class 0 ²⁾
	Double-skinned steel doors	Class 3 ³⁾
	Doors with solid timber panels	Class 0 ²⁾

WIND LOAD

Single-skinned steel doors	Class 2
Double-skinned steel doors 42/20 mm	Class 3
Double-skinned steel doors 42 mm	Class 3
Doors with solid timber panels	Class 3

Higher wind load classes on request

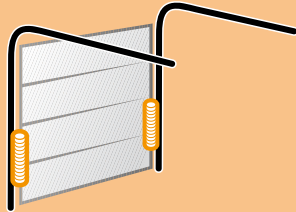
* For a double-skinned sectional garage door LPU size 5000 × 2125 mm

¹⁾ The U-values apply to fitted doors without glazing in the size: 5000 × 2125 mm

²⁾ Doors with ventilation slots, on request classes 2-3

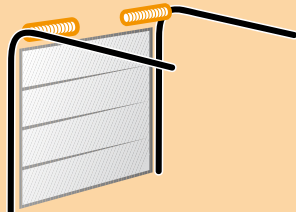
³⁾ Up to 70 Pa water pressure

Track Applications



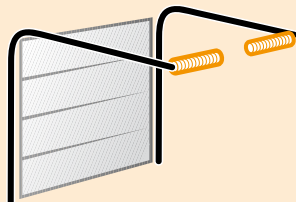
Track application Z

Tension spring track application
with torsion spring technology
Max. width 3000 mm
Max. height 2625 mm



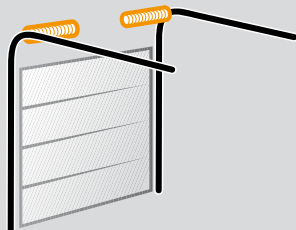
Track application N

Normal track application
with torsion spring technology
Max width 6000 mm
Max. height 3000 mm



Track application L

Low-headroom tracks
with torsion spring technology
Max width 6000 mm
Max. height 3000 mm



Track application H

High-lift track application
with torsion spring technology
Max width 6000 mm
Max. height 3000 mm

Explanations

If you are interested in this track version for high-lift doors, contact your Hörmann specialist dealer.

Timber doors are not generally supplied with Z tracks.

LZ Clear frame dimensions
RM Grid height

DE Ceiling height

Track application N:
** With ThermoFrame and operator + 45 mm

Track application Z/L:

** With ThermoFrame and operator + 30 mm

LDH Clear passage height

Track application L:

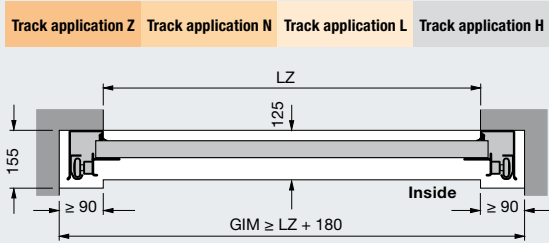
* With doors over 3010 mm wide, the clear passage is reduced by a further 50 mm.

GIM Inside garage dimension
ET Distance back

Dimensions and fitting data

Track applications and fitting dimensions LTE, EPU, LPU

Horizontal view

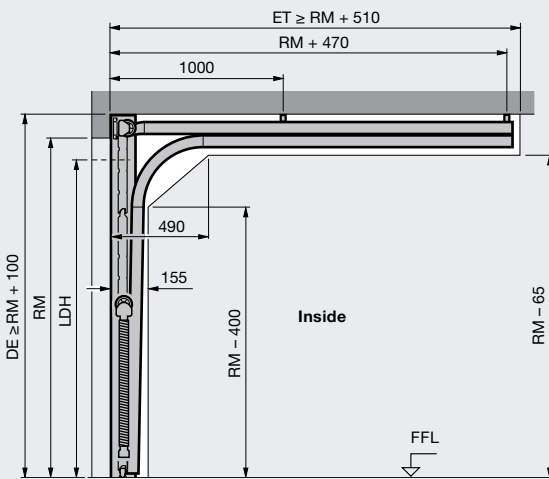


Fitting with track applications Z, N, L

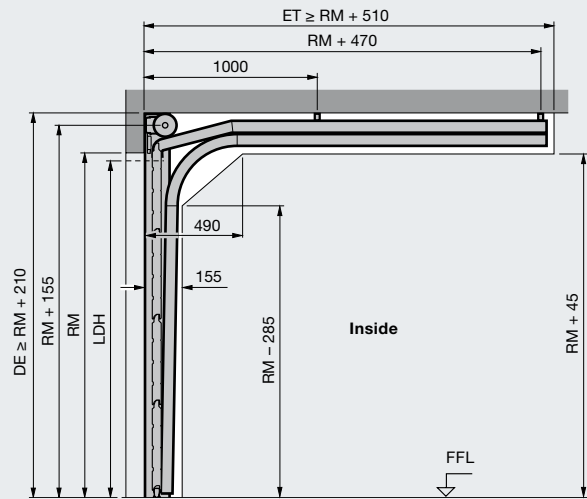
Overall length operators	Track application Z	Track application N	Track application L
Doors with operator			
2125 (K)	3200		3200
2250 (K)		3200	
2375 (M)	3450		3450
2500 (M)		3450	
3000 (L)	4125	4125	4125

Vertical views

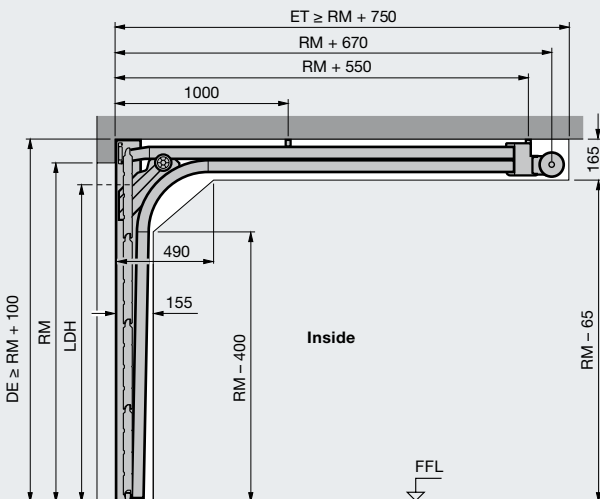
Track application Z



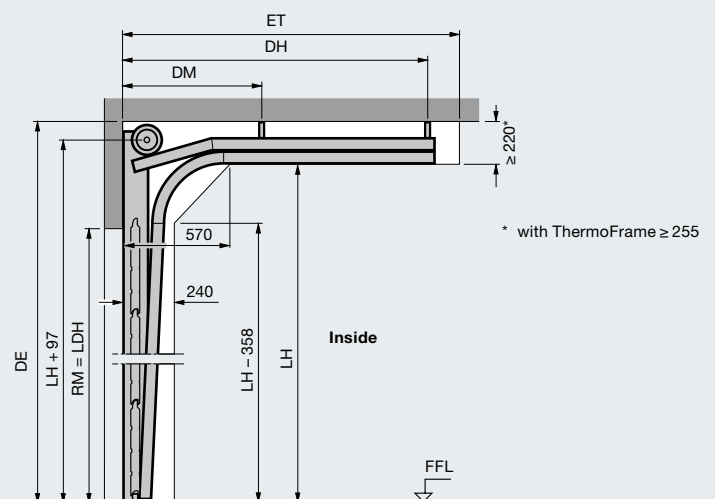
Track application N



Track application L



Track application H

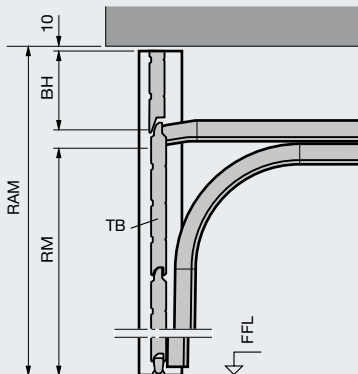


Fitting with flush-fitting panel

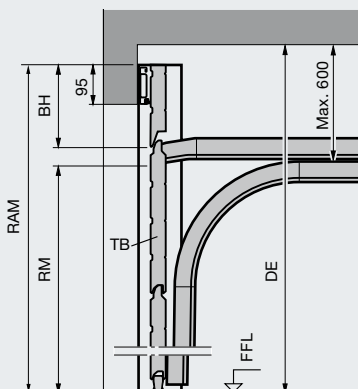
Overall length operators	Track application BZ	Track application BL
Doors with operator		
	2125 (K)	3272
Door height up to	2375 (M)	3522
	3000 (L)	4197

Vertical views

Track application BZ Track application BL Without lintel



Track application BZ Track application BL With lintel



Dimensions in mm

Explanations

Drive booms	
K	Short boom
M	Medium boom
L	Long boom
Track applications	
Z	Tension spring track application
N	Normal track application
L	Low headroom track application
H	High-lift track application
	If you are interested in this track version for high-lift doors, contact your Hörmann specialist dealer.
BZ	Tension spring track application with flush-fitting panels
BL	Low-lintel track application with flush-fitting panels
Ordering size	
LZ	Clear frame dimensions
RM	Grid height
RAM	Overall frame dimension (of flush-fitting panels)
	Min. = RM + 240 mm
	Max. = RM + 600 mm (door section height)
DE	Ceiling height
	Track application N:
	Manual operation \geq RM + 210 mm
	with operator \geq RM + 210 mm
	with operator and
	ThermoFrame \geq RM + 255 mm
	Track application Z / L:
	Manual operation \geq RM + 100 mm
	with operator \geq RM + 115 mm
	with operator and
	ThermoFrame \geq RM + 145 mm
LDH	Clear passage height
	Track application N:
	Manual operation = RM - 50 mm
	with operator = RM
	Track application Z / BZ:
	Manual operation = RM - 80 mm
	with operator = RM - 30 mm
	Track application L/BL:
	Manual operation = RM - 100 mm
	with operator (LZ < 3000) = RM - 30 mm
	with operator (LZ > 3000) = RM - 80 mm
GIM	Inside garage dimension
ET	Distance back
TB	Door leaf
BH	Panel height
LH	Track height
DM	Ceiling suspension, centre
DH	Ceiling suspension, back
FFL	Finished floor level

Note

Before fitting a sectional door, the structural openings must be finished and the floors be laid and level. The clearance required for fitting the door must be free of supply lines, heater fans, etc.

For further information, please see the fitting data or contact your Hörmann partner.

Dimensions and fitting data

LPU with wicket door with trip-free threshold

○ = not possible with Duragrain / Decograin, Micrograin or New Silkgrain
 □ = not possible with Duragrain / Decograin

Size range for ribbed doors with wicket doors

LPU doors with wicket doors	
3000	
2875	○ ○ ○ ○ ○ ○ ○ ○ ○ ○
2750	
2625	○ ○ ○ ○ ○ ○ ○ ○ ○ ○
2500	
2375	
2250	
2205	
2125	
2080	
2000	
1955	
1875	
	2250 2375 2500 2750 3000 3250 3500 3750 4000
	Door width (LZ)

Ribbed wicket doors: clear passage height and lever height

Wicket doors without glazing	Wicket doors with glazing	Lever height from FFL
1955	1955	831
1871	1871	799
2155	2155	906
2055	2055	868
1955	1955	831
1855	1855	793
2123	2203	924
2075	2155	906
1999	2079	877
1955	2035	861
1875	1955	831
1827	1907	813
1747	1827	782

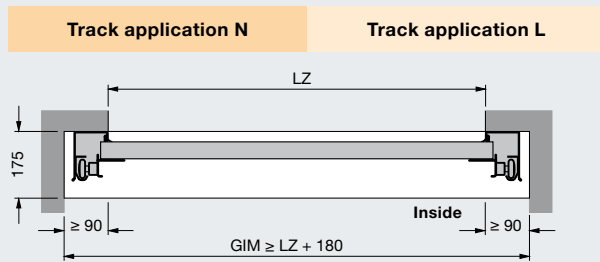
Size range for panelled doors with wicket doors

LPU doors with wicket doors	
3000	
2875	□ □ □ □ □ □ □ □ □ □
2750	□ □ □ □ □ □ □ □ □ □
2625	□ □ □ □ □ □ □ □ □ □
2500	
2375	
2250	
2205	□ □ □ □ □ □ □ □ □ □
2125	
2080	□ □ □ □ □ □ □ □ □ □
2000	
1955	□ □ □ □ □ □ □ □ □ □
1875	
	2250 2500 2750 3000 3250 3500 3750 4000
	Door width (LZ)

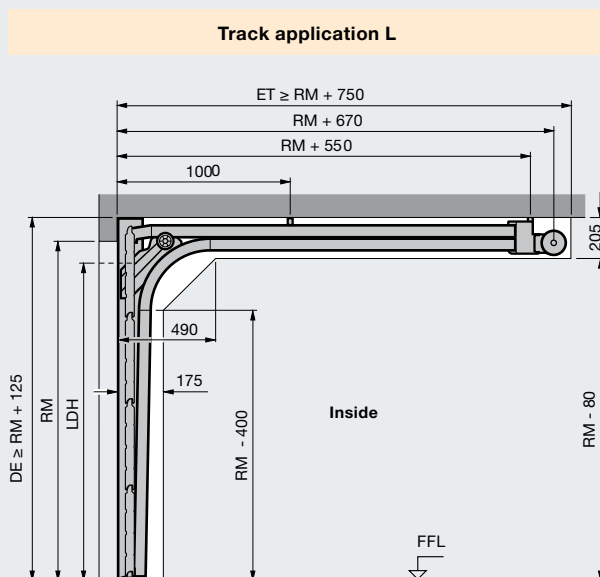
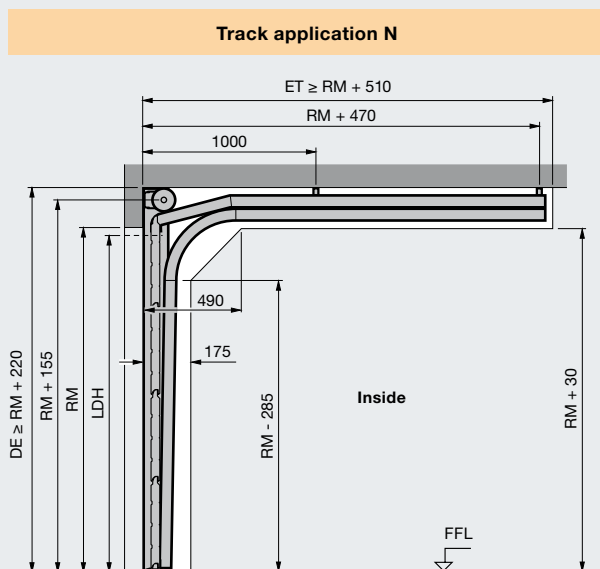
Panelled wicket doors: clear passage height and lever height

Wicket doors	Lever height from FFL
1955	831
1871	799
2155	906
2055	868
1955	831
1855	793
2203	924
2155	906
2079	877
2035	861
1955	831
1907	813
1827	782

Horizontal view



Vertical views



Explanation of dimensions

Track Applications

- N Normal track application
L Low headroom track application

Ordering size

- LZ Clear frame dimensions
RM Grid height

DE Ceiling height

Track application N:

- Manual operation $\geq RM + 220$ mm
with operator $\geq RM + 235$ mm
with operator and ThermoFrame $\geq RM + 255$ mm

Track application L:

- Manual operation $\geq RM + 125$ mm
with operator $\geq RM + 125$ mm
with operator and ThermoFrame $\geq RM + 145$ mm

LDH

Clear passage height

Track application N:

- Manual operation = $RM - 160$ mm
with operator = $RM - 100$ mm

Track application L:

- Manual operation = $RM - 160$ mm
with operator = $RM - 160$ mm

GIM

Inside garage dimension

ET

Distance back

FFL

Finished floor level

Note

The opening height must not be less than the ordering size of the garage door (RM), otherwise the wicket door will not open.

Fitting with ThermoFrame

When fitting with ThermoFrame

$LDB = LZ - 12$ mm

When fitting with ThermoFrame

and frame covering

$LDB = LZ - 15$ mm

When fitting with ThermoFrame

and operator

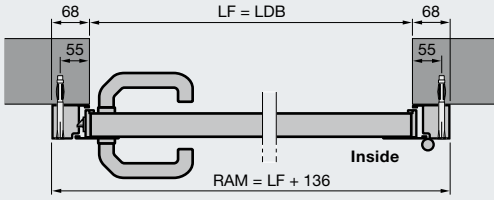
Track application N + 20 mm

Track application L + 20 mm

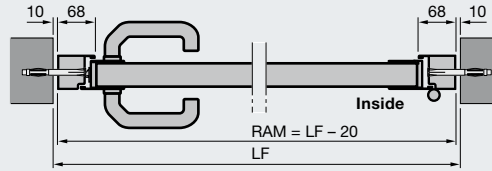
Dimensions and fitting data

Steel and solid timber side doors

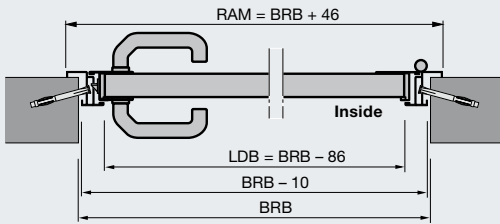
Horizontal views



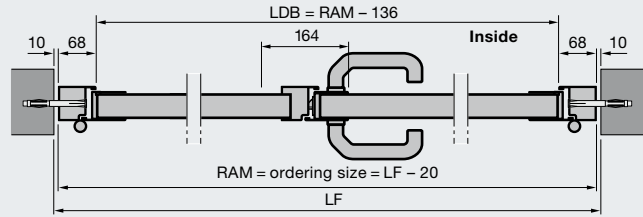
Side door with aluminium block frame, profile type 1
Fitting behind the opening



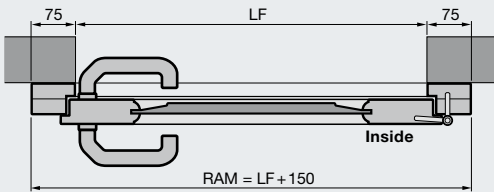
Side door with aluminium block frame, profile type 2
Fitting in the opening



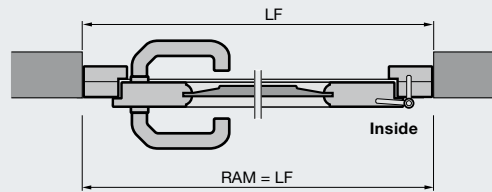
Side door with aluminium corner frame, profile type 3
External fitting



Double-leaf side door with aluminium block frame, profile type 2
Fitting in the opening

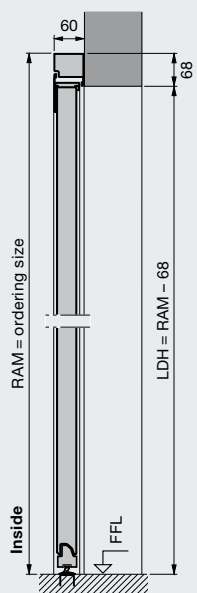


Solid timber side door
Fitting behind the opening

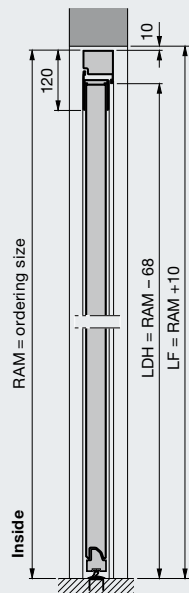


Solid timber side door
Fitting in the opening

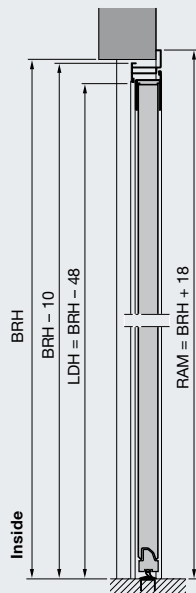
Vertical views



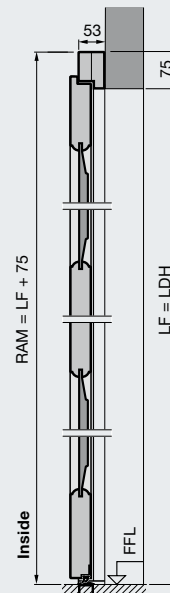
Side door with aluminium block frame, profile type 2
Fitting behind the opening



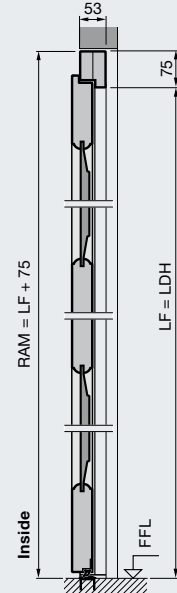
Side door with aluminium block frame, profile type 2
Fitting in the opening



Side door with aluminium corner frame, profile type 2
External fitting



Solid timber side door
Fitting behind the opening



Solid timber side door
Fitting in the opening

Standard sizes, steel side doors

Ordering size = RAM	Structural opening	Lever height*		
		P1	P2	P3

Block frame, fitting behind the opening (ordering size = overall frame dimension) Profile type 1 (only opening inwards) and profile type 2

Ordering size = RAM	Structural opening	P1	P2	P3
990 × 2058	855 – 875 × 1990 – 2000	955	1050	
990 × 2183	855 – 875 × 2115 – 2125	1010	1050	
1115 × 2058	980 – 1000 × 1990 – 2000	955	1050	
1115 × 2183	980 – 1000 × 2115 – 2125	1010	1050	

Block frame, fitting in the opening (ordering size = overall frame dimension) Profile type 2 (only S, M, L-ribbed)

Ordering size = RAM	Structural opening	P1	P2	P3
855 × 1990	875 × 2000		1050	
855 × 2115	875 × 2125		1050	
980 × 1990	1000 × 2000		1050	
980 × 2115	1000 × 2125		1050	

Corner frame, internal fitting (ordering size = BRB × BRM) Profile type 1 and profile type 2 (only S, M, L-ribbed)

Ordering size = RAM	Structural opening	P1	P2	P3
875 × 2000		955	1050	
875 × 2125		1010	1050	
1000 × 2000		955	1050	
1000 × 2125		1010	1050	

Corner frame, external fitting (ordering size = BRB × BRM) Profile type 2 (only S, M, L-ribbed) and profile type 3

Ordering size = RAM	Structural opening	P1	P2	P3
875 × 2000			1050	955
875 × 2125			1050	1010
1000 × 2000			1050	955
1000 × 2125			1050	1010

Standard sizes, solid timber side doors

Ordering size = RAM	Structural opening	Lever height*
---------------------	--------------------	---------------

Fitting behind the opening (ordering size = overall frame dimension) (S, M, L-ribbed, panelled)

Ordering size = RAM	Structural opening	Lever height*
1005 × 2190	855 – 875 × 2115 – 2125	1050
1130 × 2190	980 – 1000 × 2115 – 2125	1050

Fitting behind the opening (ordering size = overall frame dimension) (Styles 401, 403, 404, 405)

Ordering size = RAM	Structural opening	Lever height*
1130 × 2190	980 – 1000 × 2115 – 2125	1050

Explanations

P1 Profile type 1 (narrow surround)
P2 Profile type 2 (broad surround)
P3 Profile type 3 (narrow surround)

LDB Clear passage width
LDH Clear passage height
RAM Overall frame dimension
LF Structural opening
BRM Nominal size
BRB Nominal size width
BRH Nominal size height
FFL Finished floor level

Special sizes

Single-leaf side doors on request
Double-leaf side doors:
1200 – 2558 × 1960 – 2558

* You can find the lever heights for special sizes in the technical manual.

Experience Hörmann door quality

For all applications in new buildings and modernisation projects





Up-and-over garage doors



Side sliding sectional doors



Roller garage doors



Experience Hörmann quality

For every application involving new construction and modernisation

Hörmann provides an excellent basis for comprehensive planning. Carefully matched solutions offer you the very best in perfectly designed products for every area.

Garage doors

Optimally match your personal architectural style: up-and-over or sectional doors made of steel, timber or grp.

Door operators

Enjoy extra convenience and break-in-resistant security: Hörmann operators for garage doors and entrance gates.

Entrance doors

Our comprehensive entrance door ranges include models that fit almost every need and requirement.

Steel doors

Sturdy doors for your entire home, from basement to roof.

Frames

Choose from our comprehensive range of products for new construction, expansion and modernisation.

www.hormann.co.uk



Aluminium entrance doors



ThermoPro entrance door



Steel doors