

## SAFELIFT CANOPY GEAR



### STANDARD DOOR AND BRICKWORK APERTURE SIZES

- It is recommended that SafeLift Canopy is fitted to a weatherbeaded 70 mm x 70 mm timber "goalpost" frame, although the door can be fitted to a smaller side jamb down to a minimum of 45 mm wide. This frame is not supplied. A Cardale Quick-fit steel frame can also be used. Safelift Canopy steel frame dimensions are 54 mm wide on side section, 68 mm high on top section and 35 mm deep all round, plus there is also an option of a 68 mm wide side jamb.
- The minimum headroom required above the lower face of the top timber or lintel is 65 mm.

### NOTES

Door sizes given represent opening sizes within the frame. Door leaves are approximately 19 mm narrower and 25 mm shorter to allow for operating clearances and tolerances. 'Within the brickwork' aperture dimensions include a 3 mm gap between the frame and brickwork on all three sides to allow for coursing and tolerances. 'Behind the brickwork' aperture dimensions allow the frame to overlap into the aperture by a minimum of 13 mm on both sides to allow for coursing and tolerances.

### BRICKWORK APERTURE SIZES FOR FRAMES FITTED WITHIN THE OPENING

Size code	Door size	Timber frame (70x70mm)	54mm Quick-fit steel frame	68mm Quick-fit steel frame
	width x height	Brickwork aperture width x height	Brickwork aperture width x height	Brickwork aperture width x height
6666	1981 x 1981mm	2127 x 2054mm	2095 x 2052mm	2123 x 2052mm
6670	1981 x 2134mm	2127 x 2207mm	2095 x 2205mm	2123 x 2205mm
7066	2134 x 1981mm	2280 x 2054mm	2248 x 2052mm	2276 x 2052mm
7070	2134 x 2134mm	2280 x 2207mm	2248 x 2205mm	2276 x 2205mm
7364	2222 x 1930mm	2368 x 2003mm	2336 x 2001mm	2364 x 2001mm
7566	2261 x 1981mm	2407 x 2054mm	2375 x 2052mm	2403 x 2052mm
7570	2261 x 2134mm	2407 x 2207mm	2375 x 2205mm	2403 x 2205mm
7666	2286 x 1981mm	2432 x 2054mm	2400 x 2052mm	2428 x 2052mm
7670	2286 x 2134mm	2432 x 2207mm	2400 x 2205mm	2428 x 2205mm
8066	2438 x 1981mm	2584 x 2054mm	2552 x 2052mm	2580 x 2052mm
8070	2438 x 2134mm	2584 x 2207mm	2552 x 2205mm	2580 x 2205mm

### BRICKWORK APERTURE SIZES FOR FRAMES FITTED BEHIND THE OPENING

Size code	Door size	Timber frame (70x70mm)	54mm Quick-fit steel frame	68mm Quick-fit steel frame
	width x height	Brickwork aperture width x height	Brickwork aperture width x height	Brickwork aperture width x height
6666	1981 x 1981mm	2007 x 1981mm	2007 x 1981mm	2007 x 1981mm
6670	1981 x 2134mm	2007 x 2134mm	2007 x 2134mm	2007 x 2134mm
7066	2134 x 1981mm	2160 x 1981mm	2160 x 1981mm	2160 x 1981mm
7070	2134 x 2134mm	2160 x 2134mm	2160 x 2134mm	2160 x 2134mm
7364	2222 x 1930mm	2248 x 1930mm	2248 x 1930mm	2248 x 1930mm
7566	2261 x 1981mm	2287 x 1981mm	2287 x 1981mm	2287 x 1981mm
7570	2261 x 2134mm	2287 x 2134mm	2287 x 2134mm	2287 x 2134mm
7666	2286 x 1981mm	2312 x 1981mm	2312 x 1981mm	2312 x 1981mm
7670	2286 x 2134mm	2312 x 2134mm	2312 x 2134mm	2312 x 2134mm
8066	2438 x 1981mm	2464 x 1981mm	2464 x 1981mm	2464 x 1981mm
8070	2438 x 2134mm	2464 x 2134mm	2464 x 2134mm	2464 x 2134mm

### FITTING FRAMES TO THE BRICKWORK

Frames may be fitted within or behind the brickwork. Fitting behind the brickwork, if the garage length allows, will increase the drive-through width by up to 114 mm (4 1/2").

A 19 mm x 19 mm weatherbead should always be fitted to the under-side of the door frame lintel in front of the door to hide the top gap. This feature is integral on the Cardale Quick-fit steel frame.

Where an Autoglide electric operator is to be specified together with a Cardale Quick-fit 54mm Safelift Canopy steel frame, the frame must be fitted behind the brickwork. This is not necessary with a 70 mm x 70 mm timber frame or the optional 68 mm steel frame.

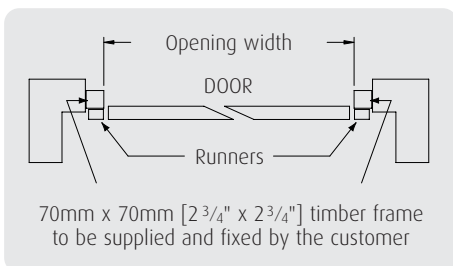
Safelift Canopy doors are quick and easy to install and take up less space in the garage when opening.

Safelift Canopy lifting gear is available for single sized doors up to 2438 mm (8'0") wide and 2134 mm (7'0") high only.

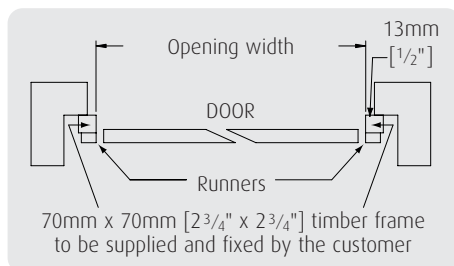
# TECHNICAL INFORMATION SAFELIFT CANOPY GEAR

## SAFELIFT CANOPY GEAR

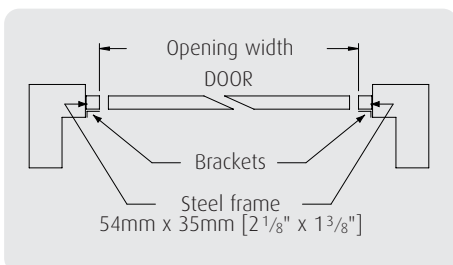
Fitting to timber frame, **within the brickwork aperture**



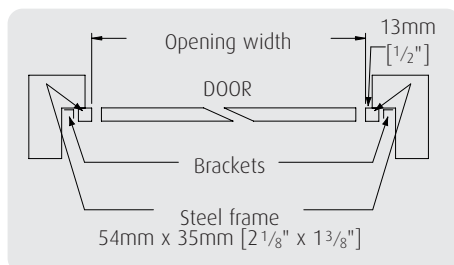
Fitting to timber frame, **behind the brickwork aperture**



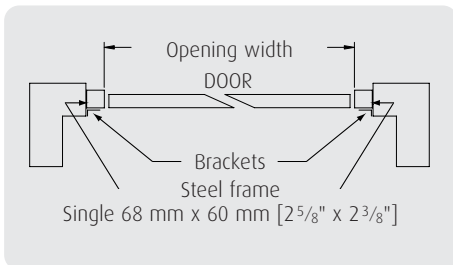
Fitting to Cardale 54 mm Quick-fit steel Safelift frame, **within the brickwork aperture**



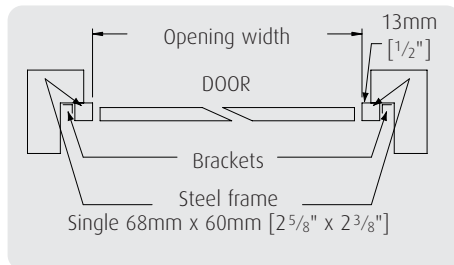
Fitting to Cardale 54 mm Quick-fit steel Safelift frame, **behind the brickwork aperture**



Fitting to Cardale 68 mm Quick-fit steel Safelift frame, **within the brickwork aperture**

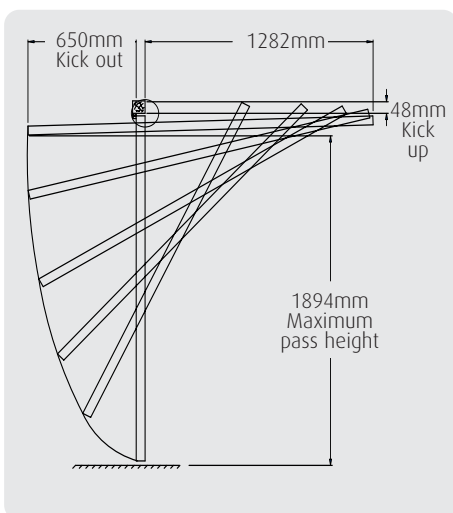


Fitting to Cardale 68mm Quick-fit steel Safelift frame, **behind the brickwork aperture**

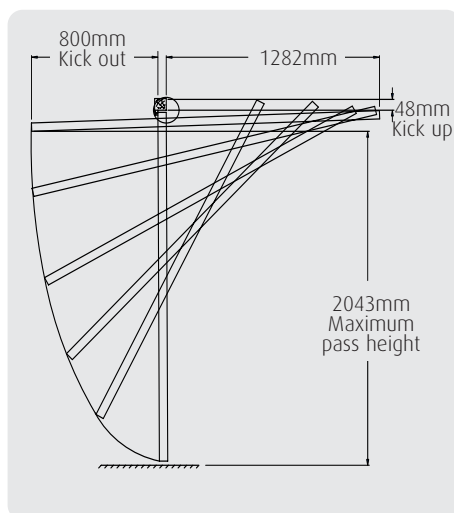


### OPENING ARCS OF TRAVEL

Cardale 1981 mm [6'6"] high Safelift Trackless Canopy doors



Cardale 2134 mm [7'0"] high Safelift Trackless Canopy doors



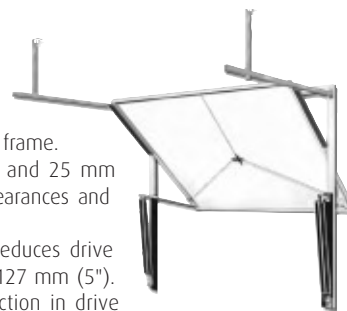
## SLIDEAWAY RETRACTABLE GEAR MAXIMIZER II® RETRACTABLE GEAR

### STANDARD DOOR AND BRICKWORK APERTURE SIZES

- Cardale Slideaway Retractable door gear should be fitted to a weatherbeaded 70 mm x 70 mm standard timber 'goalpost' frame (not supplied). Alternatively Slideaway single and double doors up to 4876 mm may be fitted to a Cardale Quick-fit steel Slideaway frame (single door dimensions = 68 mm wide by 60 mm deep all round, double door dimensions = 68 mm wide x 75 mm deep all round).
- The minimum headroom required above the lower face of the top timber or lintel is 43 mm for double doors, 38.5 mm for single doors.
- Optional Maximiser II retractable lifting gear is available for single sized Cardale doors up to 2438 mm (8'0") wide by 2286 mm (7'6") high only.

### NOTES

- Door sizes given are for opening sizes within the frame. Door leaves are approximately 19 mm narrower and 25 mm shorter than the dimensions given to allow for clearances and tolerances.
- In use, single and double slideaway lifting gear reduces drive through width by 114 mm (4 1/2") and height by 127 mm (5"). With optional Maximizer II gear there is no reduction in drive through width up to 1050 mm from the ground on 1981 mm high doors (1200 mm on 2134 mm high doors), and only an 80 mm reduction in height.
- 'Within the brickwork' aperture dimensions include a 3 mm gap between the frame and brickwork on all three sides to allow for coursing and tolerances.
- 'Behind the brickwork' aperture dimensions allow the frame to overlap into the aperture by 13 mm on both sides to allow for coursing and tolerances.
- Slideaway frames for single and double doors are also available 7'6" high for single doors and 8'0" high for double doors.
- Special size frames are available in any size from 6'6" x 6'1" to 16' 0" x 8'0".



### BRICKWORK APERTURE SIZES FOR FRAMES FITTED WITHIN THE OPENING

Size	Door size	Timber frame (70x70mm)	Quick-fit steel frame
		Brickwork aperture	Brickwork aperture
6666	1981 x 1981mm	2127 x 2054mm	2123 x 2052mm
6670	1981 x 2134mm	2127 x 2207mm	2123 x 2205mm
7066	2134 x 1981mm	2280 x 2054mm	2276 x 2052mm
7070	2134 x 2134mm	2280 x 2207mm	2276 x 2205mm
7364	2222 x 1930mm	2368 x 2003mm	2364 x 2001mm
7566	2261 x 1981mm	2407 x 2054mm	2403 x 2052mm
7570	2261 x 2134mm	2407 x 2207mm	2403 x 2205mm
7666	2286 x 1981mm	2432 x 2054mm	2428 x 2052mm
7670	2286 x 2134mm	2432 x 2207mm	2428 x 2205mm
8066	2438 x 1981mm	2584 x 2054mm	2580 x 2052mm
8070	2438 x 2134mm	2584 x 2207mm	2580 x 2205mm
1466	4267 x 1981mm	4413 x 2054mm	4413 x 2052mm
1470	4267 x 2134mm	4413 x 2207mm	4413 x 2205mm

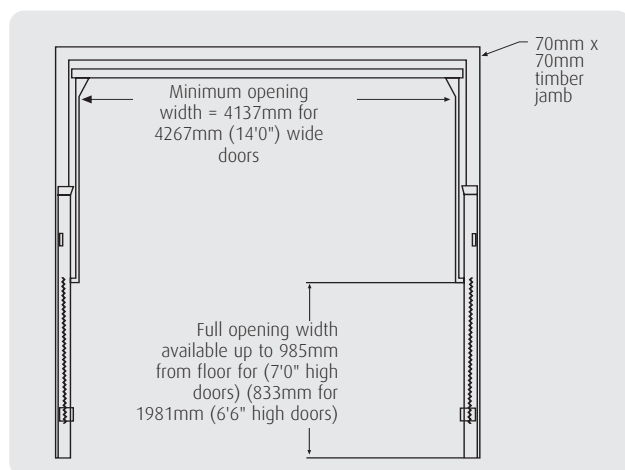
### BRICKWORK APERTURE SIZES FOR FRAMES FITTED BEHIND THE OPENING

Size	Door size	Timber frame (70x70mm)	Quick-fit steel frame
		Brickwork aperture	Brickwork aperture
6666	1981 x 1981mm	2007 x 1981mm	2007 x 1981mm
6670	1981 x 2134mm	2007 x 2134mm	2007 x 2134mm
7066	2134 x 1981mm	2160 x 1981mm	2160 x 1981mm
7070	2134 x 2134mm	2160 x 2134mm	2160 x 2134mm
7364	2222 x 1930mm	2248 x 1930mm	2248 x 1930mm
7566	2261 x 1981mm	2287 x 1981mm	2287 x 1981mm
7570	2261 x 2134mm	2287 x 2134mm	2287 x 2134mm
7666	2286 x 1981mm	2312 x 1981mm	2312 x 1981mm
7670	2286 x 2134mm	2312 x 2134mm	2312 x 2134mm
8066	2438 x 1981mm	2464 x 1981mm	2464 x 1981mm
8070	2438 x 2134mm	2464 x 2134mm	2464 x 2134mm
1466	4267 x 1981mm	4293 x 1981mm	4293 x 1981mm
1470	4267 x 2134mm	4293 x 2134mm	4293 x 2134mm

## SLIDEAWAY

### DRIVE-THROUGH CLEARANCES

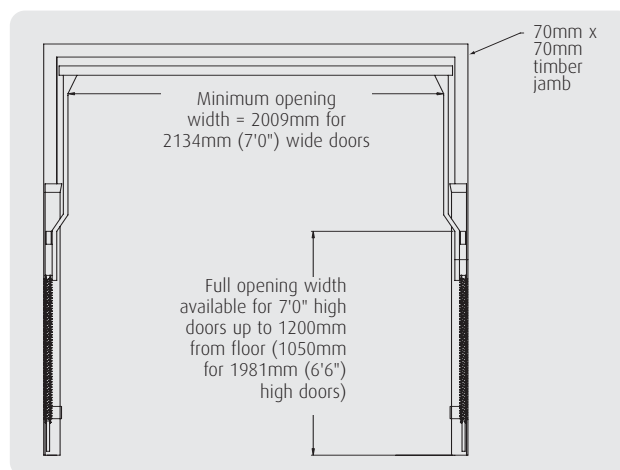
(Double sized Slideaway doors up to 4876 mm (16' 0") wide by 2286 mm (7'6") high only & single Euro Oak doors)



## MAXIMIZER II®

### DRIVE-THROUGH CLEARANCES

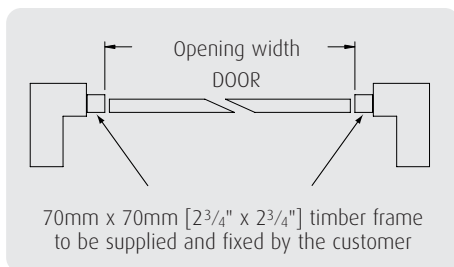
(single sized Slideaway doors up to 2438 mm (8'0") wide by 2286 mm (7'6") high only. Euro Oak doors all requires Slideaway gear - see left)



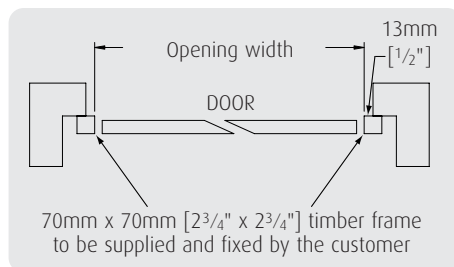
## TECHNICAL INFORMATION

### SLIDEAWAY RETRACTABLE GEAR MAXIMIZER II® RETRACTABLE GEAR

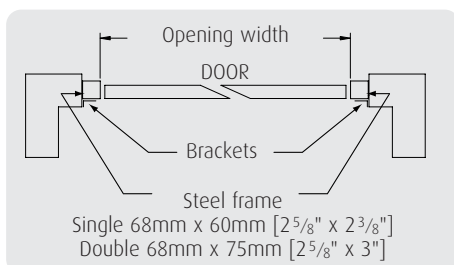
Fitting to timber frame, **within the brickwork aperture**



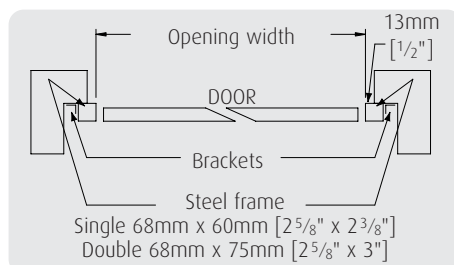
Fitting to timber frame, **behind the brickwork aperture**



Fitting to Cardale Quick-fit steel Slideaway frame, **within the brickwork aperture**



Fitting to Cardale Quick-fit steel Slideaway frame, **behind the brickwork aperture**



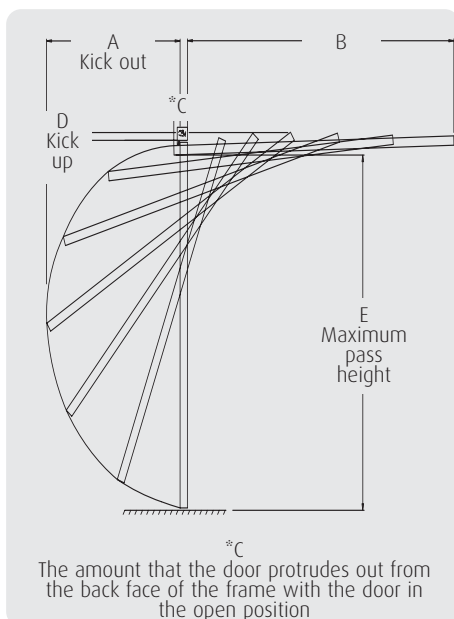
#### FITTING FRAMES TO THE BRICKWORK

Frames may be fitted within or behind the brickwork as per the drawings shown. Fitting behind the brickwork, if the garage length allows, will increase drive-through width by up to 114 mm (4 1/2").

A 19 mm x 19 mm weatherbead should be fitted to the underside of the door frame lintel in front of the door to hide the top gap. This feature is integral on the Cardale Quick-fit steel frame.

Slideaway doors offer exceptionally smooth opening action and are ideal for electric operation.

#### OPENING ARCS OF TRAVEL



#### KEY

	1981mm (6'6")	2134mm (7'0")
Size	high single	high single
Code	Maximizer II doors	Maximizer II doors
A	880mm	1030mm
B	1877mm	1877mm
*C	116mm	268mm
D	38.5mm	38.5mm
E	1884mm	2030mm

	1981mm (6'6")	2134mm (7'0")
Size	high double	high double
Code	Slideaway doors	Slideaway doors
A	900mm	1040mm
B	1877mm	1877mm
C	131mm	283mm
D	43mm	43mm
E	1890mm	2040mm

## SIDE HINGED DOORS

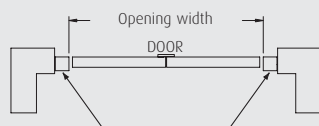
Brickwork aperture sizes for frames fitted within the opening

Timber frame (70 x 70 mm) or Steel frame (65 x 68 mm)			
Door size		Timber Aperture	Steel Aperture
Size code	width x height	width x height	width x height
6666	1981 x 1981 mm	2127 x 2054 mm	2117 x 2052 mm
6670	1981 x 2134 mm	2127 x 2207 mm	2117 x 2205 mm
7066	2134 x 1981 mm	2280 x 2054 mm	2270 x 2052 mm
7070	2134 x 2134 mm	2280 x 2207 mm	2270 x 2205 mm
7666	2286 x 1981 mm	2432 x 2054 mm	2422 x 2052 mm
7670	2286 x 2134 mm	2432 x 2207 mm	2422 x 2205 mm
8066	2438 x 1981 mm	2584 x 2054 mm	2574 x 2052 mm
8070	2438 x 2134 mm	2584 x 2207 mm	2574 x 2205 mm

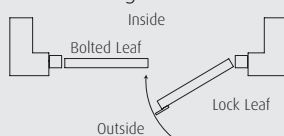
- Door sizes given are for opening sizes within the frame.
- Aperture sizes include a minimum 3 mm gap between the frame and the brickwork on all three sides to allow for coursing and tolerances.

### Fitting the frames to the brickwork

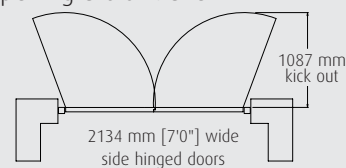
Frames should be fitted within the brickwork as per the drawing shown below:



### Standard configuration



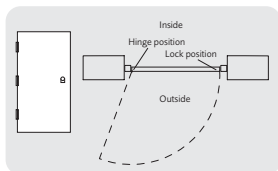
### Opening arc of travel



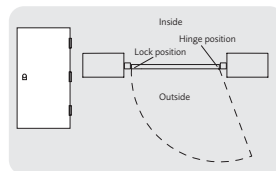
- Side hinged doors are supplied pre-framed as standard and come complete with a brass effect Euro profile night latch and deadlock, a pair of door stays, two monkey tail shoot bolts and four anti-drop anchored dog bolt hinges per door leaf.
- A luxury pack with three point locking for the active leaf and "monkey fur" draft sealing is available as an option.
- Doors are supplied to open outwards with the lock on the right when viewed from the outside. Left hand opening is available as an option.

## PERSONNEL DOORS

Standard Configuration  
Left hand front hinge  
outward opening



Option 1  
Right hand front hinge  
outward opening



- Personnel doors are supplied pre-framed as standard and come complete with a brass effect Euro profile night latch and deadlock and four anti-drop anchored dog bolt hinges per door leaf.

## STEEL-LINE ROLLER DOORS

### STANDARD DOOR AND BRICKWORK APERTURE SIZES

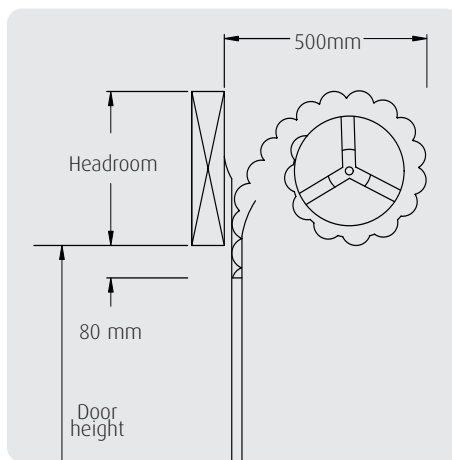
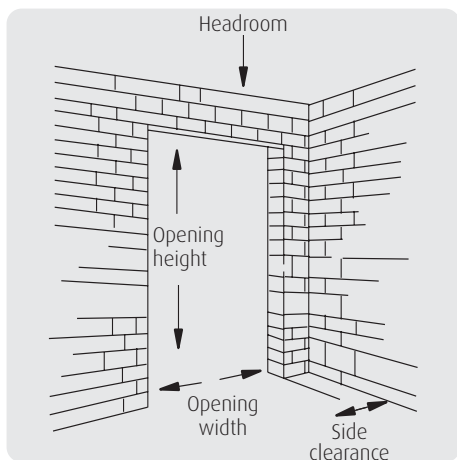
- Steel-line roller doors are specified by curtain size and made to measure in 5 mm (3/16") increments from 900mm (3'0") wide x 1200 mm (4'0") high to 5100 mm (16' 9") wide x 3050 mm (10' 0") high.
- Widths up to 3404 mm (11' 2") are classed as 'A' series. Widths above this are classed as 'AA' series.
- When correctly installed the door curtain should overlap the opening width on both sides by a minimum of:
  - 25 mm each side for 'A' series doors without Rollguard
  - 50 mm each side for 'AA' series doors without Rollguard
  - 35 mm each side for all doors supplied with Rollguard

### HEADROOM

The minimum clearance between the bottom of the lintel and the ceiling will vary according to the door height required, as illustrated below.

### NOTES

- The clearance must extend back into the garage by 500 mm for all door heights.
- The stated headroom is only necessary if the door roll is to be hidden from outside view. In cases of reduced headroom, the roll can be fixed lower, however there will be a corresponding reduction in drive-through height.
- The drive-through height will be a minimum of 80 mm less than the opening height.



### MINIMUM CLEARANCES

Aperture Width	Curtain width	
	Excluding Rollguard	Including Rollguard
1219mm (4'0")	1270mm	1290mm
1829mm (6'0")	1880mm	1900mm
2134mm (7'0")	2185mm	2205mm
2286mm (7'6")	2335mm	2355mm
2438mm (8'0")	2490mm	2510mm
2591mm (8'6")	2640mm	2660mm
2743mm (9'0")	2800mm	2820mm
3048mm (10'0")	3100mm	3120mm
3353mm (11'0")	3400mm	3420mm
3658mm (12'0")	3760mm	3730mm
4267mm (14'0")	4370mm	4340mm
5000mm (16'5")	5100mm	5070mm

The curtain height should be specified the same as the aperture height.

These dimensions should be added to the aperture width when specifying to give the correct curtain width, as per the table above (note: curtain sizes have been rounded).

Minimum clearance required per side		
Door type	Manual door	Automatic door (Operator side only)
'A' Series	90mm	120mm
'AA' Series	120mm	150mm
All doors with Rollguard	150mm	150mm

Door height	Minimum headroom
2134mm (7'0")*	380mm*
2286mm (7'6")	405mm
2438mm (8'0")	405mm
2743mm (9'0")	430mm
3048mm (10'0")	455mm

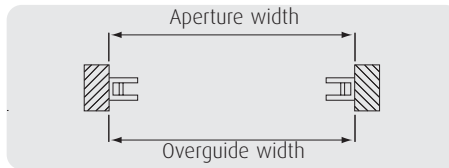
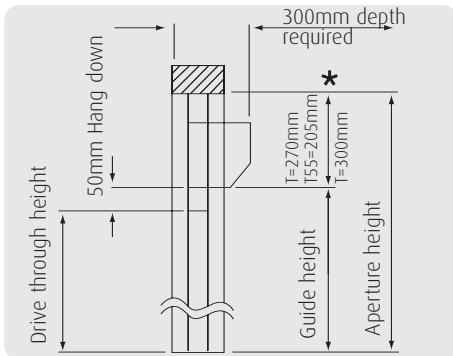
\*330mm with Steel-line Mini

# TECHNICAL INFORMATION

## THERMAGLIDE ROLLER DOORS

Key: T= Thermaglride  
T55= Thermaglride55

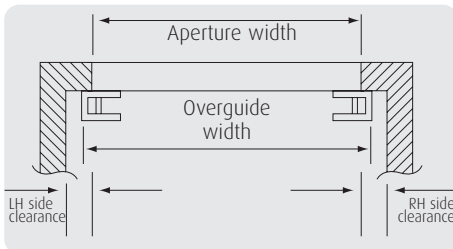
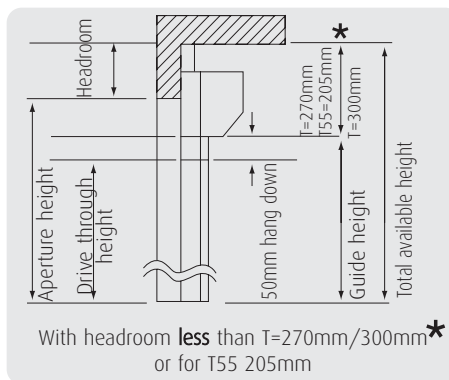
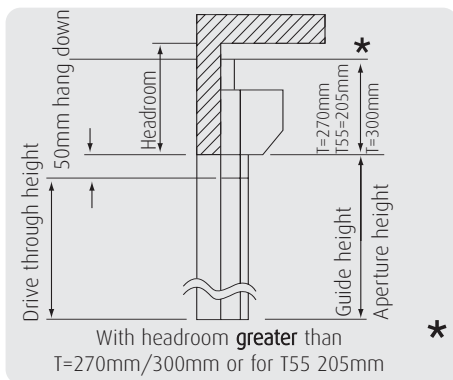
### FITTING WITHIN THE APERTURE (between walls or between reveal)



**NOTES**

For this type of installation we strongly recommend that a half box or full box is fitted, this will cover and protect the axle assembly and give added security.

### FITTING BEHIND THE APERTURE



**SIDE CLEARANCE**

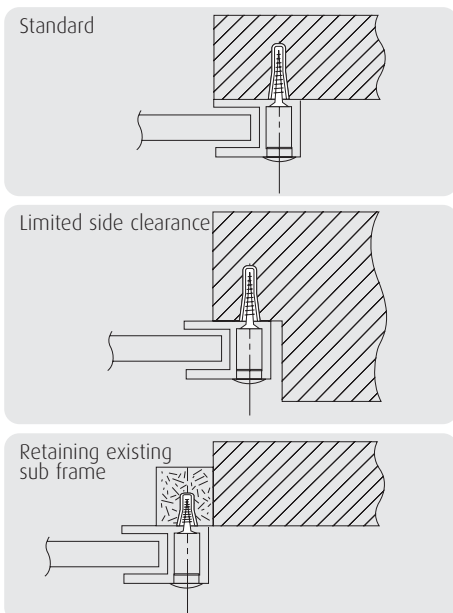
Thermaglride: 70mm or 95mm is required only if the guides are to be fully concealed. (70mm for door sizes up to 9sqm, 95mm for door sizes over 9sqm and guide heights above 2500mm and 66mm for all Thermaglride55 doors). A minimum of 40mm is required to give sufficient room for fixing but a portion of the guide tracks will be visible.

**\* HEADROOM**

Thermaglride  
270mm for door sizes up to 9sqm 300mm for door sizes over 9sqm, over 2500mm guide height & any doors with a roll box option selected  
Thermaglride 55 205mm for all doors

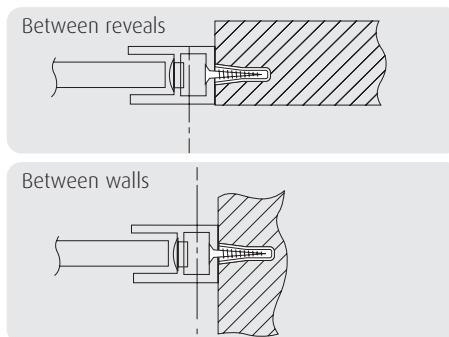
**FIXING OPTIONS**

**Behind the aperture**



**FIXING OPTIONS**

**Within the aperture**



## THERMALIFT 42 SECTIONAL DOORS

Thermalift 42 sectional garage doors can be fitted either to a good quality timber frame or direct to sound brickwork and can be fitted either within or behind the brickwork opening. If fitted within the brickwork opening, the door must be fitted to a timber frame or a frame kit.

When measuring the garage opening, always measure from more than one point as the brickwork may not be consistent. Always ensure there is sufficient internal clearance in the garage for the door to be installed and operate fully.

### To fit a door behind the brickwork opening

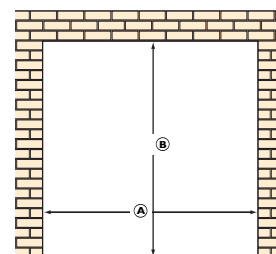
Measure the brickwork opening width (A) and height (B). Ensure you have adequate sideroom, headroom and clear space (depth) into the garage. The space required is determined by the operating gear chosen. See the table below for details.

### To fit a door to a timber frame within the brickwork opening

Measure the brickwork opening width (A) and height (B). Subtract the required side and headroom (as shown below) and install a timber frame to suit.

### SIDEROOM/HEADROOM REQUIRED & DEPTH OF TRAVEL INTO GARAGE

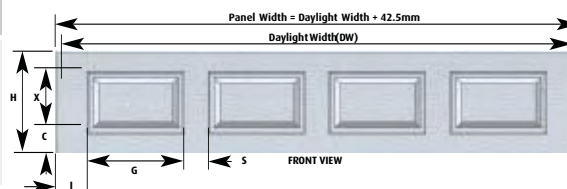
OPERATING GEAR	SIDEROOM (mm)	HEADROOM (mm)		DEPTH INTO GARAGE (mm)	
		MANUAL	AUTO MATIC	MANUAL*	AUTO MATIC
<b>Tension</b>	80	150	150	opening height (B) + 700mm	B ≤ 2250 = 3350 B ≥ 2375 = 4450
<b>Tension (low headroom)</b>	120	100	120	opening height (B) + 750mm	B ≤ 2250 = 3350 B ≥ 2375 = 4450
<b>Torsion front</b>	80	200	200	opening height (B) + 700mm	B ≤ 2250 = 3350 B ≥ 2375 = 4450
<b>Torsion rear (low headroom)</b>	80	100	120	opening height (B) + 800mm	B ≤ 2250 = 3350 B ≥ 2375 = 4450



\* when opening height is 1900mm, add on an extra 100mm

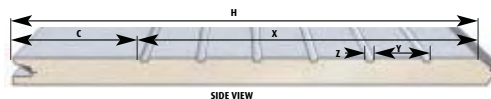
### GEORGIAN DOOR - PANEL DETAILS

(H) PANEL HEIGHT	(DW) DAYLIGHT WIDTH mm	NUMBER OF EMBOSSES	(J) END SPACING	(S) LAND SPACING	(X) EMBOSS HEIGHT	(G) EMBOSS WIDTH	(C) BOTTOM SPACING
See number of panels by door height	1800-239	3	Min 71mm Max 231mm	Min 100mm Max 200mm	310mm	500mm	Min 91mm Max 151mm
	2400-3099	4					
	3100-3649	5					
	3650-4249	6					
	4250-5000	7					



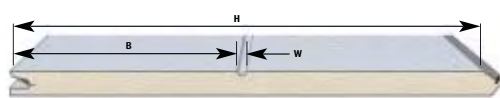
### MINIRIB DOOR - PANEL DETAILS

(H) PANEL HEIGHT	NUMBER OF RIBS	(X) RIBBED AREA	(Y) SPACE BETWEEN RIBS	(Z) RIB WIDTH	(C) BOTTOM SPACING
See number of panels by door height	6	300mm	58mm	9mm	Min 113mm
					Max 146mm



### MIDIRIB DOOR - PANEL DETAILS

(H) PANEL HEIGHT	NUMBER OF RIBS	(W) RIB WIDTH	(B) BOTTOM SPACING
See number by door height	1	9mm	Min 216mm
			Max 259mm



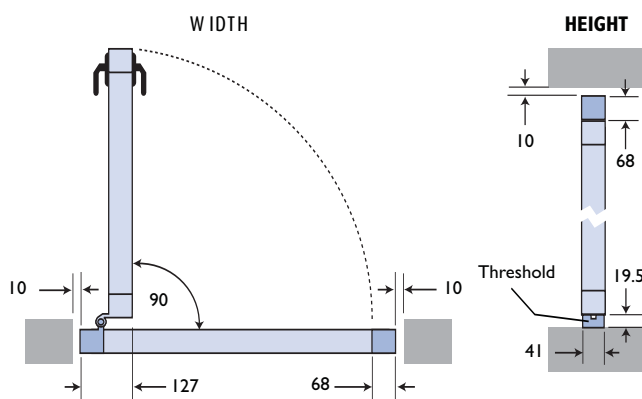
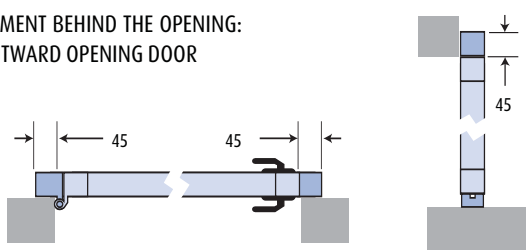
DOOR HEIGHT (mm)	NUMBER OF PANELS	PANEL HEIGHT (mm)
3000	6	483
2800	5	545
2650	5	514
2500	5	483
2375	5	458
2250	4	545
2125	4	514
2000	4	483
1900	4	458

TECHNICAL INFORMATION

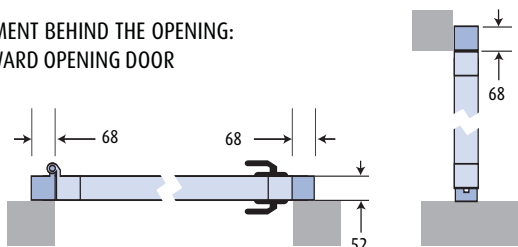
THERMALIFT 42 SECTIONAL DOOR - SIDE DOORS

DOOR CODE	ORDER SIZE (mm) WIDTH x HEIGHT	OUTSIDE FRAME SIZE(mm) WIDTH x HEIGHT	PASS THROUGH OPENING (mm) WIDTH x HEIGHT	BRICKWORK OPENING SIZE (mm) IF FITTED BEHIND THE OPENING - WIDTH x HEIGHT				BRICKWORK OPENING SIZE (mm) IF FITTED WITHIN THE OPENING
				INWARD OPENING DOOR		OUTWARD OPENING DOOR		
				MINIMUM	MAXIMUM	MINIMUM	MAXIMUM	
T2	1000 x 2000	1136 x 2068	941 x 1980	1000 x 2000 - 1090 x 2045		1046 x 2023 - 1126 x 2063		1156 x 2078
T3	875 x 2125	1011 x 2193	816 x 2105	875 x 2125 - 988 x 2170		921 x 2148 - 1006 x 2188		1031 x 2203
T4	875 x 2000	1011 x 2068	816 x 1980	875 x 2000 - 988 x 2045		921 x 2023 - 1006 x 2063		1031 x 2078
T5	1000 x 2125	1136 x 2193	941 x 2105	1000 x 2125 - 1090 x 2170		1046 x 2148 - 1126 x 2188		1156 x 2203

FITMENT BEHIND THE OPENING:  
OUTWARD OPENING DOOR



FITMENT BEHIND THE OPENING:  
INWARD OPENING DOOR



PASS THROUGH OPENING

WIDTH = OUTER FRAME SIZE 95mm (127mm + 68mm)

HEIGHT = OUTER FRAME SIZE 88mm (68mm + 19.5mm)

FRAME CLEARANCE RECOMMENDED (FITTED WITHIN THE BRICKWORK OPENING)

WIDTH 20mm - HEIGHT 0mm

SIDE ENTRANCE DOOR SPECIFICATION

STYLES AVAILABLE

Georgian, Minirib and Flush in 42mm profile

FINISHES AVAILABLE

Two standard colours: White RAL 9016 and Brown RAL 8014 (brown chargeable) or in special paint according to RAL and NCS colour systems.

HANDLE

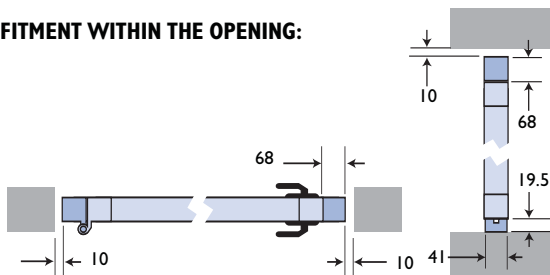
All doors supplied with a black aluminium handle & eurocylinder lock as standard

OPENING/HANDING

Doors can be supplied opening to the left or to the right and to the inside or outside. Please state handing as viewed from the outside.

- Inward opening door, handle on the left (hinges on the right) = left handed
- Outward opening door, handle on the left (hinges on the right) = right handed

FITMENT WITHIN THE OPENING:





## GRP SECTIONAL DOORS

### VIENNA, OSLO & VERONA

A double skinned fully finished and made to measure G.R.P. Sectional Garage door. The panels are made from triple layer resin 450 gram CSM glass mat reinforcement and 'matted in' steel stiffeners. The rear of the door is finished with a white flat back panel. Doors over 4420mm (14'6") have additional white powder coat bracings attached to the rear of the panels. Doors features full weather seals on both sides, at the head and where the door closes to the ground to reduce water and wind borne debris ingress. The interface of each panel has an anti finger-trap CEN compliant safety design (patent pending). Available in High Gloss White (Vienna only) and all standard Wessex Woodgrain colours including the three solid colour options.

### VIENNA, OSLO & VERONA DC MODEL

The DC model has all the benefits of the standard door but is supplied with a state-of-the-art electric operator which is matched to the door. A DC650NIII, with a 650N lifting force, is supplied for doors up to 3048mm (10'0") wide and the more powerful DC800NIII, with 800N lifting force, is supplied for doors over this size. Both operators feature DC motors, soft start-soft stop and anti-back drive security system. This reacts to movement on the boom, if forced entry of a closed door is attempted, and automatically switches from stand-by mode to drive the door closed. A very quiet toothed cable drive one-piece boom is standard with chain drive available as a no cost option. A kevlar belt drive option is available for even smoother, quieter operation. Please note that an extended boom is recommended for doors over 2134mm (7'0") high.

### VIENNA, OSLO & VERONA "40" MODEL

The "40" model has double skinned, foam filled, insulated panels for maximum insulation, sound proofing and strength. The rear of the door is finished with a white flat back panel. Doors over 4420mm (14'6") have additional white powder coat bracings attached to the rear of the panels. The "40" model also has all round weather seals and an anti finger-trap panel interface design (patent pending). Available in High Gloss White (Vienna only) and all standard Wessex Woodgrain colours including the three solid colour options.

### VIENNA 40 DC

The "40" DC model has all the benefits of Standard "40" model but is supplied with a state-of-the-art electric operator which is matched to the door. A DC650NIII, with a 650N lifting force, is supplied for doors up to 3048mm (10'0") wide and the more powerful DC800NIII, with 800N lifting force, is supplied for doors over this size. Both operators feature DC motors, soft start-soft stop and anti-back drive security system. This reacts to movement on the boom, if forced entry of a closed door is attempted, and automatically switches from stand-by mode to drive the door closed. A very quiet toothed cable drive one-piece boom is standard with chain drive available as a no cost option. A Kevlar belt drive option is available for even smoother, quieter operation. Please note that an extended boom is recommended for doors over 2134mm (7'0") high.

### GEARING

Lifting gear is a CEN Compliant galvanised steel dual track system with standard low head room gear. It requires only 70mm side and headroom clearance and the top edge of the top panel does not rise above the horizontal track. If the 'Manual locking' option is selected, headroom requirement increases by 60mm and both DC variants require an additional 30mm headroom for the operator boom (50mm on doors over 4420mm / 14'6"). The spring assembly is not wider than the track which means easy installation to flush walls. There is no reduction of drive through width and drive through height is reduced by only 70mm on a manual door and 30mm on an automated door.

### GENERAL information

#### Locking

All door variants are supplied without locking. If ordered as a manually operated door, or locking is required, the 'Manual locking' option must be ordered. The door is prepared for the handle to fit in the first right hand vertical stile, viewed from outside, on the second panel up from the floor.

#### Window Options

Vienna, Vienna 40 and DC variants are available with black (opaque) windows, which cannot be seen through. Clear and stippled translucent windows are not available. The Oslo is available with porthole windows to one or all panels. Porthole windows are finished with stainless steel and have a double glazed toughened glass vision panel. Porthole window position is set to 400 mm from the left or right edge of the doors and are installed centrally in the panel profile. Other positions can be accommodated on request.

#### Matching Woodgrain Doors

Where doors are to be fitted in close proximity and are required to be coloured as closely as possible, it is vital that they are clearly requested 'To Match' at time of ordering.

#### Made to Measure Doors

For a made to measure price take the next door size up e.g. 3810mm (12'6") wide x 2032mm (6'8") high is taken from the 3962mm (13'0") wide x 2134mm (7'0") high price.

#### Opening Size

All door sizes in this price list refer to internal brickwork / internal frame dimensions. See note "How to order your Door"

#### How to Order Your Door

Sectional doors are designed to be fitted either on to the back face of a brickwork opening or on to the back face of a timber frame\* fitted within the opening. Therefore when ordering your door you must either give us the internal brickwork opening size for doors being fitted directly to the back of the brickwork, or the internal timber frame\* size for doors being fitted on to a timber frame\*.

\*Timber frame must be a minimum of 70mm x 70mm (2<sup>3</sup>/<sub>4</sub>" x 2<sup>3</sup>/<sub>4</sub>").

#### Top & Bottom Rails & End Stiles

Top, bottom and end stiles (edges) may vary in width or height between doors of the same style depending on size ordered. This is to enable us to cater for your particular size of garage door. If in doubt, please refer to Wessex before ordering.

#### Finishing & maintenance

##### G.R.P. Doors

Please study the cleaning and maintenance label attached to the back of the door for advice on keeping your door in top class condition.

##### Door Lubrication

All doors require regular (6 monthly) lubrication of the pivot points and bearings. Full details are contained in the Wessex Service Passport supplied with the door.

